

eikon e3, e4 & e5

US

Quick Start Guide

IMPORTANT INFORMATION - READ BEFORE USE - FULL GUIDE AVAILABLE FROM THE MERRYCHEF WEBSITE

CA

Guide du démarrage rapide

INFORMATION IMPORTANTE - À LIRE AVANT L'UTILISATION - GUIDE COMPLET DISPONIBLE AU SITE WEB DE MERRYCHEF

BrPT

Guia Rápido de Introdução

INFORMAÇÕES IMPORTANTES - LEIA ANTES DE USAR - GUIA COMPLETO DISPONÍVEL NO SITE DA MERRYCHEF

LaES

Guía de inicio rápido

INFORMACIÓN IMPORTANTE - LEER ANTES DE USAR - GUÍA COMPLETA DISPONIBLE EN EL SITIO WEB DE MERRYCHEF

INTRODUCTION

These ovens offer operators the flexibility of combination cooking with additional control over fan speed and microwave power.

Combination cooking enables high quality results to be achieved in a fraction of the time taken by conventional cooking, particularly when baking, browning, roasting and grilling dishes.

Once established, precise instructions for combination or convection cooking of selected items may be programmed into the oven's memory so that they can be repeated easily and accurately. Up to 1024 programs can be stored and simply recalled.

Multistage Programming

The oven controls offer even greater flexibility by allowing multistage programming. This enables the exact conditions required for quality results to be set according to the food type.

A single cooking program can have up to 6 stages, each stage controlled with its own time, fan speed and microwave power settings, (model dependent).



PRECAUTIONS TO AVOID POSSIBLE EXPOSURE TO EXCESSIVE MICROWAVE ENERGY

- a) Do not attempt to operate this oven with the door open since open-door operation can result in harmful exposure to microwave energy. It is important not to defeat or tamper with the safety interlocks.
- b) Do not place any object between the oven front face and the door or allow soil or cleaner residue to accumulate on sealing surfaces.
- c) Do not operate the oven if it is damaged. It is particularly important that the oven door closes properly and that there is no damage to the (1) door (bent) (2) hinges and latches (broken or loosened) (3) door seals and sealing surfaces.
- d) The oven should not be adjusted or repaired by anyone except properly qualified service personnel.

The instructions outlined in this guide are intended to ensure the safety and long life of your Merrychef oven.

PLEASE READ THE FOLLOWING SAFETY INSTRUCTIONS CAREFULLY

CONTENTS

IMPORTANT INFORMATION READ BEFORE USE

Users are cautioned that maintenance and repairs should be performed by a Merrychef authorized service agent using genuine Merrychef replacement parts. Merrychef will have no obligation with respect to any product that has been improperly installed, adjusted, operated or not maintained in accordance with national and local codes or installation instructions provided with the product, or any product that has its serial number defaced, obliterated or removed, or which has been modified or repaired using unauthorized parts or by unauthorized service agents. For a list of authorized service agents, please refer to the back page of this booklet. The information contained herein (including design and parts specifications) may be superseded and is subject to change without notice.

This is a Quick Start Guide only. For further information refer to the relevant Installation and Operating instructions available from www.merrychef.com

The easyToUCH screen display, layout and icons shown herein, are for guidance purposes only and are not intended to be an exact representation of those supplied with the oven.

INTRODUCTION	2
SAFETY & REGULATIONS	
IMPORTANT SAFETY INSTRUCTIONS	4
PRECAUTIONS TO BE OBSERVED	6
SUITABLE COOKING UTENSILS	7
MAIN FEATURES	8
PRODUCT DETAILS	
TECHNICAL SPECIFICATIONS	10
Specifications	10
Serial Number (Rating Plate):	10
INSTALLATION	11
OVEN LOCATION AND POSITIONING	11
OPERATION & CONTROLS	
QUICK START GUIDE: QUICK SERVICE OVEN	12
START UP	12
USING A COOKING PROGRAM	13
OPERATING GUIDE: FULL SERVICE OVEN	14
easyToUCH MAIN MENU & KEYBOARD SCREEN	14
PRESS & GO	15
USING A COOKBOOK PROGRAM	16
SCREEN SAVER	17
CHANGING THE OVEN TEMPERATURE	17
CLEANING & MAINTENANCE	
COOLING THE OVEN DOWN BEFORE CLEANING	18
Oven cool down	18
Preparing to clean the oven	18
Cold oven CLEANING INSTRUCTIONS e3	19
Cold oven CLEANING INSTRUCTIONS e4	20
Cold oven CLEANING INSTRUCTIONS e5	20
FAULT FINDING	
FAULT FINDING CHART	23

IMPORTANT SAFETY INSTRUCTIONS

When using electrical appliances basic safety precautions should be followed, including the following:

WARNING To reduce the risk of burns, electric shock, fire, injury to persons, or exposure to excessive microwave energy:

1. Read all instructions before using the appliance.
2. Read and follow the specific "PRECAUTIONS TO AVOID POSSIBLE EXPOSURE TO EXCESSIVE MICROWAVE ENERGY" found on the Introduction page.
3. This appliance must be grounded. Connect only to a properly grounded outlet. See "ELECTRICAL INSTALLATION".
4. Install or locate this appliance only in accordance with the provided installation instructions.
5. Some products such as whole eggs and sealed containers — for example, closed jars — may explode and should not be heated in this oven.
6. Use this appliance only for its intended use as described in the manual. Do not use corrosive chemicals or vapours in this appliance. This type of oven is specifically designed to heat, cook or dry food. It is not designed for industrial or laboratory use.
7. This appliance should not be used by children.
8. Do not operate this appliance if it has a damaged cord or plug, if it is not working properly, or if it has been damaged or dropped.
9. This appliance should be serviced only by qualified service personnel. Contact the nearest authorized service facility for examination, repair or adjustment.
- 10 Do not cover or block any openings on the appliance including air vents/filters and steam outlet.

11 Do not store this appliance outdoors. Do not use this product near water — for example, near a kitchen sink, in a wet basement, or near a swimming pool, and the like.

12. Do not immerse the cord or plug in water.

13. Keep the cord away from heated surfaces.

14. Do not let cord hang over edge of table or counter.

15. Either:

i) When cleaning surfaces of door and oven that come together on closing the door, use only mild non-abrasive soaps, or detergents applied with a sponge or soft cloth.

ii) When separate cleaning instructions are provided, see door surface cleaning instructions.

16. To reduce risk of fire in the cavity:

i) Do not overcook food. Carefully attend appliance if paper, plastic or other combustible materials are placed inside the oven to facilitate cooking.

ii) Remove wire twist-ties from paper or plastic bags before placing bag in oven

iii) If materials inside the oven should ignite, keep oven closed, turn oven off, and disconnect the power cord, or shut off power at the fuse or circuit breaker panel.

iv) Do not use the cavity for storage purposes. Do not leave paper products, cooking utensils or food in the cavity when not in use.

17. Liquids, such as water, coffee, or tea are able to be overheated beyond the boiling point without appearing to be boiling. Visible bubbling or boiling when the container is removed from the

microwave oven is not always present. THIS COULD RESULT IN VERY HOT LIQUIDS SUDDENLY BOILING OVER WHEN THE CONTAINER IS DISTURBED OR A UTENSIL IS INSERTED INTO THE LIQUID.

18. DO NOT operate using microwave only or combination function without food or liquid inside the oven as this may result in overheating and may cause damage.

19. NEVER remove the exterior of the oven.

20. NEVER remove any fixed internal parts of the oven.

21. NEVER tamper with the control panel, door, seals, or any other oven part.

22. DO NOT obstruct air vents/filters or steam outlet.

23. NEVER hang dish towels or cloths on any part of the oven.

24. If the door seals are damaged, the oven must be repaired by an approved Service Agent.

25. If the power cable is damaged in any way it MUST be replaced by an approved Service Agent.

26. When handling hot liquids, foods, and containers, care should be taken to avoid scalds and burns.

27. When heating liquids using microwave only or combination function, the contents should be stirred prior to heating to avoid eruptive boiling.

28. Feeding bottles and baby food jars should not be heated with this appliance.

29. Never use the oven to heat alcohol, e.g. Brandy, rum etc. Food containing alcohol can more easily catch fire if overheated, observe caution and do not leave the oven unattended.

30. Never attempt to deep fry in the oven.

31. The appliance is not intended for use by infants, children or infirm persons without supervision.

32. Infants and children should be supervised to ensure that they do not play with the appliance.

SAVE THESE INSTRUCTIONS

PRECAUTIONS TO BE OBSERVED

1. Read this manual before using your oven.
2. As with all electrical appliances, it is wise to have the electrical connections inspected at least once a year.
3. The oven interior, door seals should be cleaned frequently, following the instructions described in the cleaning section, failure to do so could possibly result in a hazardous situation.
4. Switch off the oven at the end of all the cooking sessions for that day.
5. The oven should not be used to dry linen.
6. As with any cooking appliance, care should be taken to avoid combustion of the items within the oven.
7. Food in combustible plastic or paper containers should be transferred to a microwave/oven proof containers to avoid the possibility of ignition.
8. Items should be unwrapped when using convection and combination functions.
9. Eggs in shells and whole hard-boiled eggs should not be heated in the oven as they may explode.
10. Food with a skin, e.g. Potatoes, apples, sausages etc. should be pierced before heating.
11. Food should not be heated in a completely sealed container as the build-up of steam may cause it to explode.
12. Excess fat should be removed during 'roasting' and before lifting heavy containers from the oven.
13. In the event of glass breaking or shattering within the oven, ensure that food is totally free of glass particles. If in doubt, dispose of any food that was in the oven at the time of the breakage.
14. DO NOT attempt to operate the oven with: object caught in door, that does not close properly or damaged door, hinge, latch, sealing surface or without food in the oven.

If smoke is observed:

- Switch off
- Isolate from the electrical supply
- Keep the door closed to stifle any flames

SUITABLE COOKING UTENSILS

Manufacturer's instructions should be checked to determine the suitability of individual containers or utensils using each of the cooking functions. The following chart provides general guidelines:

Heat resistant containers		
Toughened glass Vitreous ceramics Earthenware (porcelain/crockery/china etc.)	✓ ✓ ✓	Do not use items with metallic decoration.
Metallic & Foil Trays		
Metallic trays DO NOT USE ANY OTHER METAL OR FOIL CONTAINERS	✓	Metallic trays may only be used when placed on the VITREOUS RACK in the oven cavity. Note: Do not cook food directly on the vitreous enamel rack.
Plastic containers		
Dual-ovenable plastic containers	✓	(up to certain temperatures) are now available. Check manufacturer's instructions before use.
Disposables		
DO NOT USE Combustibles (paper/card etc.)	✗	
Other utensils		
Tie tags Cutlery Temperature probes	✗ ✗ ✗	No kitchen utensil should be left in food while it is cooking in the oven.

MAIN FEATURES

1 ON/OFF SWITCH

When switched ON the easyToUCH screen illuminates the oven controls. Note; turning this switch OFF does not isolate the oven from the electricity supply.

2 easyToUCH SCREEN CONTROL PANEL

See 'OPERATION & CONTROLS' for details.

3 RATING PLATE

Located on the rear panel of the oven states the serial number, model type & electrical specifications.

4 MenuConnect™

A USB socket located under the Merrychef logo allows changes to programs stored on the oven (See USB MenuConnect™ User Manual, and Operation & Controls section of this manual, for details of updating oven programs).

5 AIR OUTLETS

Air used to cool internal components and steam from the cavity escape through the air outlet vents located on the rear of the oven and side panel of the e5 model. The air outlets must be kept free from obstruction and they will not allow microwave energy to escape into the environment.

6 AIR INLET FILTER

The air filter situated at the lower front of the oven is part of the ventilation system and must be kept free of obstruction and cleaned daily as described under 'Cleaning & Maintenance'. Note, the oven will not operate without the air filter fitted.

7 DOOR HANDLE

This is a rigid bar which is pulled downwards and away from the oven to open.

8 OVEN DOOR

This is a precision-made energy barrier with three microwave safety interlocks. The door must be kept clean (see 'CLEANING') and should NOT be used to support heavy objects.

9 DOOR SEALS

These ensure a tight seal around the door. They should be kept clean and checked regularly for signs of damage. At the first sign of wear they should be replaced by a Merrychef approved Service Agent.

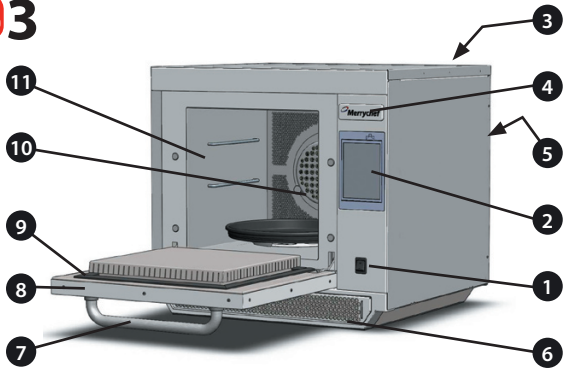
10 CONVECTION FAN, GREASE FILTER & CATALYTIC CONVERTOR (model dependant)

The metal grease filter grill covering the convection fan must be kept clean and free of debris. Great care should be taken when cleaning this area of the oven noting the different oven requirements shown under 'Cleaning & Maintenance' in this manual.

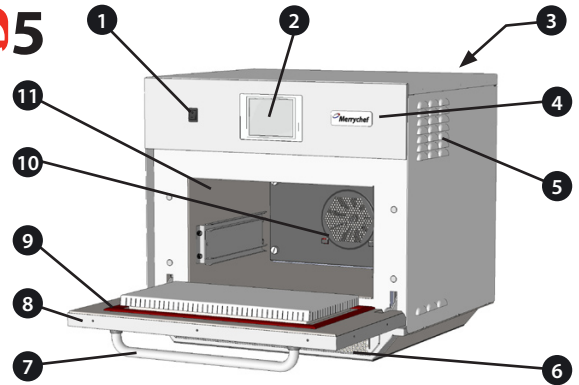
11 OVEN CAVITY

The oven cavity is constructed from stainless steel and must be kept clean by following the cleaning instructions in the 'Cleaning & Maintenance' section of this manual.

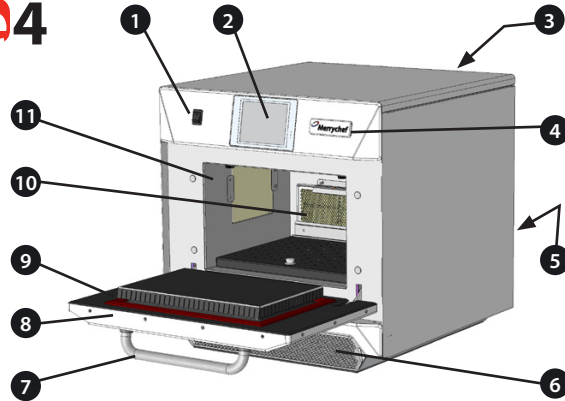
e3



e5



e4



PRODUCT DETAILS

TECHNICAL SPECIFICATIONS

Specifications

Description	unit	e3	e4	e5
Touch screen controls	programs	1024	1024	1024
Ambient operating temperature	°C/°F	<40/104	<40/104	<40/104
External HxWxD	mm	551x598x622	591x584x750	642x711x705
External HxWxD	inches	21.7x23.5x24.5	23.3x23.0x29.5	25.3x28.0x27.8
Internal HxWxD	mm	319x332x325	218x375x312	258.4x495x363.5
Internal HxWxD	inches	12.6x13.1x12.8	8.6x14.8x12.3	10.17x19.49x14.31
Cooking chamber	Ltr (cu.ins)	34.4 (2113)	25.5 (1566)	44.4 (2730)
Power output microwave	Watts	700/1000	1500	1400
Power output convection	kW	3 (3/1.5 EE)	3.2	3.2
Power supply	Hz	60	60	60
Power supply	V	208 & 240	208 & 240	208 & 240
Power supply	kW	3(EE) 4.3(XE) 4.7(XX)	6.2	6.2
Unpackaged oven weight nett	Kg (lbs)	62.5 (138)	82.5 (182)	94.0 (207)
Sound pressure level	dB(A)	<70	<70	<70
Stacking (with kit)	oven	0	1	0

Serial Number (Rating Plate):

Serial number: YY MM SITE SERIAL i.e. 10 06 2130 12345 (1006213012345)

Oven manufactured 2010 in June at Sheffield (UK), production number 12345.

Model Number: MODEL CONVECTION MICROWAVE VOLTAGE HERTZ LEAD PLUG COMMUNICATION VERSION
CUSTOMER/ACCESSORY COUNTRY i.e. e4C 5 V MV 6 D F U 1 GM US (e4CSVMV6DFU1GMUS)

model e4C, 3200W, 1500W, 208V or 240V, 60Hz, 2P+GND (30A), moulded NEMA 6-30P plug, USB, 1, General Market, USA.

INSTALLATION

OVEN LOCATION AND POSITIONING

Choose a site away from major heat sources.

DO NOT position so that hot air is drawn in from fryers, grills, griddles, etc.

A heat barrier to the height of the oven must be installed if sited next to a burner, stove or range.

Place the oven on a permanent nonslip/nonflammable flat surface that is LEVEL, STABLE and STRONG enough for the oven and contents.

Allow a minimum clearance (A) of 2 inches (50mm) around the oven for hot air to escape.

Allow sufficient clearance (B), in front of the oven for the door to open fully.

Position the oven (e4 & e5 models only) at least 36 inches (916mm) (C) above the floor.

The air intake is located at the lower front of the oven (1) and it is important that the airflow is as cool as possible and not preheated by other appliances such as burners, stoves, ranges, fryers, grills and griddles as this will deteriorate the life and performance of the oven.

Do not affix labels/stickers to oven other than those applied or approved by the manufacturer.



The oven will not operate without the AIR FILTER correctly fitted in place.

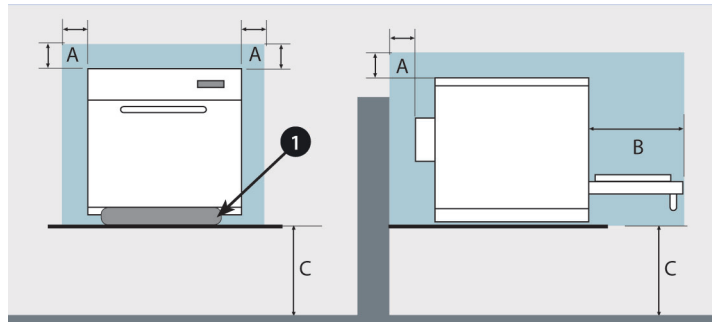


DANGER!

THIS APPLIANCE MUST BE EARTHED. FAILURE TO DO SO MAY RESULT IN ELECTRIC SHOCK AND DEATH.

The oven must be connected to an outlet that is properly installed and grounded. If in doubt consult a qualified electrician.

Please refer to the Merrychef website www.merrychef.com for full electrical installation details. Should you not have access or require further clarification, please contact a Service Agent.



HANDLING & STORAGE:

When moving an oven always observe and follow National and local requirements for lifting and moving heavy objects. Do not use the oven door handle to lift oven.

When not in use, electrically disconnect the oven and store safely in a dry cool place, do not stack ovens.

QUICK START GUIDE: QUICK SERVICE OVEN

START UP

1. Switch the oven on;

Make all the relevant safety checks and ensure the oven is clean and empty before pressing the oven switch down to activate the oven.

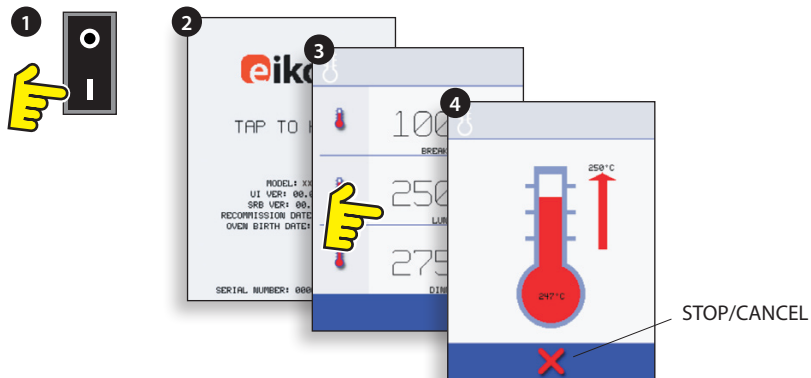
2. The easyToUCH screen illuminates with the display briefly showing the serial number and oven data. Lightly tap the screen once to freeze the display, tap again to continue.

3. When the oven is setup with two or more preheating temperatures a choice is displayed.

Scroll arrows at the bottom of the screen indicates there are more temperature choices not shown on screen, if necessary, use the scroll arrows, then select the temperature required to start preheating the oven.

4. During preheating the display shows the progress as the oven heats up to the set temperature. (To stop the oven heating touch the red 'X' symbol.)

5. The oven is ready to use when the 'COOKBOOK' is displayed.



5 COOKBOOK DISPLAY

MULTIPLE LANGUAGES INSTALLED

DISPLAYS ALL COOKING PROGRAMS (Optional)

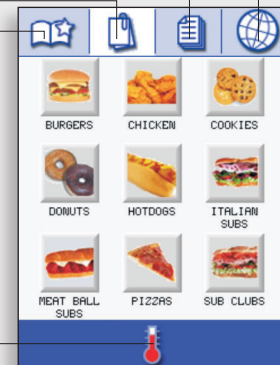
SHOWS PROGRAM GROUPS

FAVOURITES (Optional)

PROGRAM GROUP

Each group contains a collection of cooking programs.

CHANGE OVEN TEMPERATURE (Optional)



USING A COOKING PROGRAM



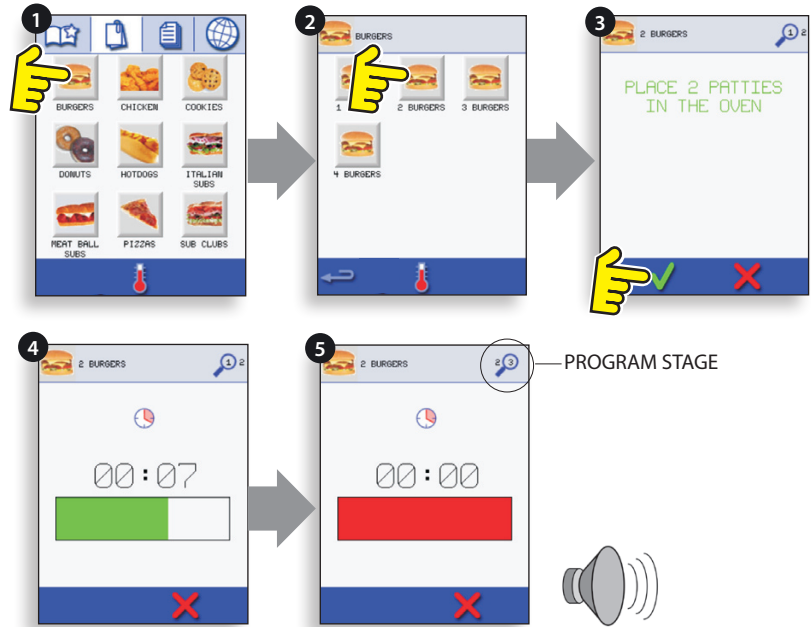
Taking all the necessary precautions to ensure you do not burn yourself, open the oven door to place the food into the hot oven and close the door.

1. Select a program group, for example, 'BURGERS' to display the individual cooking programs.
2. Select a cook program to start, for example, 2 BURGERS.
3. Follow instructions if displayed on the screen.
4. Touch the green tick to cook.

The cooking time counts down for each program stage.

5. When the program ends a red bar is displayed usually with an audible sound - open the door or touch the red 'X' to return to the cook program.

Note; opening the oven door during cooking stops the cooking program and displays a warning. Closing the door allows the user to continue or cancel the cooking program.



OPERATING GUIDE: FULL SERVICE OVEN

easyToUCH MAIN MENU & KEYBOARD SCREEN

MAIN MENU SCREEN:

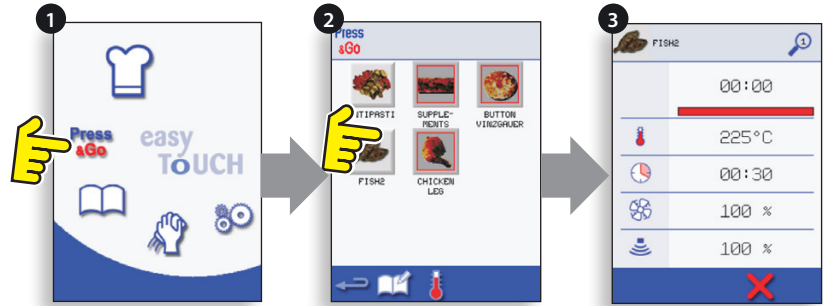
1. DEVELOPMENT MODE enables multistage cooking programs to be developed, then stored under a name and symbol for reuse.
2. PRESS & GO allows quick access to use the cooking programs that are already stored.
3. COOKBOOK contains the oven's cooking programs. It displays Favourites, Cooking Program Groups and a complete listing of all cooking programs available.
4. CLEANING/TEMP CHANGE allows the oven temperature to be changed and the oven to be prepared for cleaning with reminders displayed to assist during the cleaning process.
5. SETTINGS are used to control the oven settings and functions including time and language, loading cooking programs and for service and maintenance purposes.
6. KEYBOARD SCREEN is used to enter an authorised password to enter data for programs and may restrict operator access to some functions.



PRESS & GO

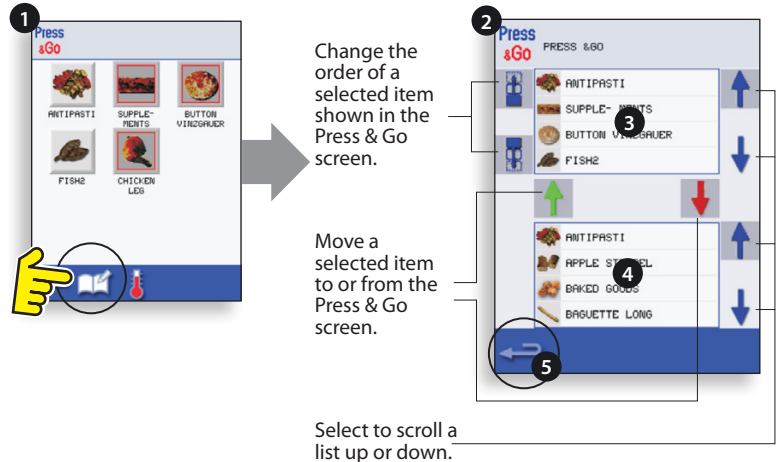
Running a cooking program from the Press & Go menu.

1. Select 'PRESS & GO' from the main menu screen.
2. Select the item required to cook.
3. The display shows the temperature, cooking time, microwave power and fan speed while the timer counts down. The timer bar turns red to indicate the cooking cycle has finished.



Choosing which cooking programs are shown in the 'PRESS & GO' menu screen.

1. After selecting 'PRESS & GO' from the main menu screen, select the EDIT symbol.
2. Two lists are displayed, the 'PRESS & GO' menu items are shown in the upper list and the lower list shows other menu items which are available. Both lists can be scrolled up or down using the arrows on the extreme right.
3. Select an item, then choose whether to change its order within the menu or to remove it into the lower list.
4. Select an item to move into the upper list, making it available in the 'PRESS & GO' menu.
5. Select backspace to return to the menu screen when finished.



USING A COOKBOOK PROGRAM



WARNING: ENSURE THERE IS FOOD PRODUCT IN THE OVEN BEFORE STARTING A COOKING PROGRAM.

To find the required Program in the cookbook.

1. Select 'COOKBOOK' from the main menu screen.
2. Select the ALL MENUS symbol.
3. Use scroll up/down arrows to find the program.

NOTE: if an image has a red line around it the oven temperature is set too high or too low for that recipe. See 'CHANGING THE OVEN TEMPERATURE'.

Taking all the necessary precautions to ensure you do not burn yourself, place the food product into the hot oven cavity and close the door.



**WARNING:
HOT SURFACE HAZARD**

4. Select the required cooking program to start cooking.

For example, '1 BURGER'.

5. The program either starts immediately displaying a countdown timer, or an instruction is displayed first; follow the stage instruction then select OK to start cooking. If the oven door is not opened within 30 seconds a warning message appears.



6. The cooking timer counts down to zero and makes a sound to indicate an operator action is required at the end of a cooking stage or the end of a cooking program.

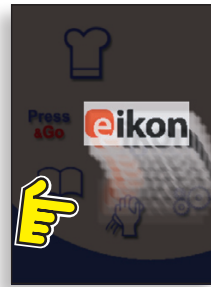
Once the cooking program has finished, opening the oven door to remove the food returns the display to the 'COOKBOOK' screen.

Note; opening the oven door during cooking stops the cooking program and displays a warning. Closing the door allows the user to continue or cancel the cooking program.

To check the oven temperature when cooking, lightly tap the temperature displayed, the oven cavity temperature is shown with an asterisk.

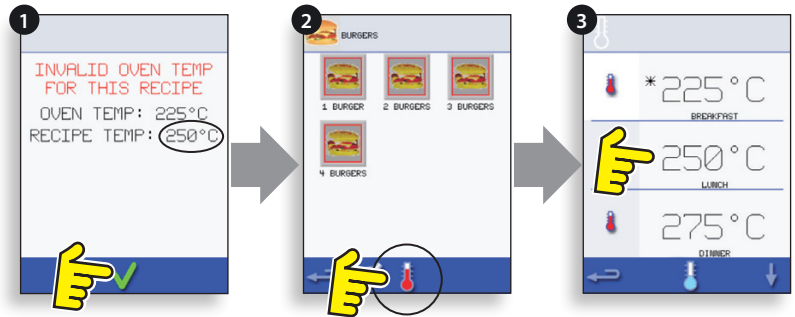
SCREEN SAVER

An active screen saver will mask the screen showing a moving image. To use the touchscreen, tap the screen to deactivate the screen saver.



CHANGING THE OVEN TEMPERATURE

1. Take note of the temperature required for the recipe and select OK.
2. Select the temperature symbol.
3. An asterisk next to the number indicates the present oven temperature, select the required oven temperature for the recipe. Once the oven is at the required temperature continue from selecting the 'COOKBOOK' in step 1.

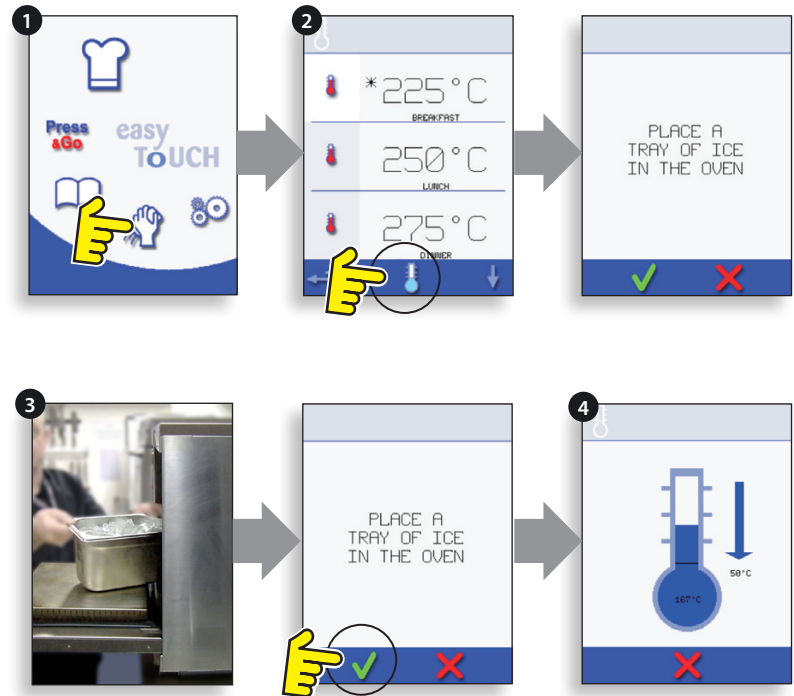


COOLING THE OVEN DOWN BEFORE CLEANING

Oven cool down

IMPORTANT: the oven must be cooled down before the cleaning processes are carried out.

1. In Full Serve mode, select the CLEANING symbol from the main menu.
2. In Full or Quick Serve mode, select the blue thermometer symbol to disable heating and start the cooling cycle.
3. Taking all necessary precautions place a suitable heaped container of ice, into the hot oven cavity. Select the OK symbol to continue.
4. The cooling progress is displayed and takes approximately 30 minutes.
5. The oven is now ready for cleaning. Select OK on the screen after completing each stage.



Preparing to clean the oven

For the oven to operate at peak efficiency, the cavity, door, air filter and grease filter must be kept clean.

A daily cleaning routine will ensure that you comply with the required hygiene standards and will help to maintain and prolong the efficiency of your oven.

Equipment required (not supplied):

Non-caustic proprietary branded oven cleaner, heat proof gloves, protective rubber gloves, non-abrasive nylon scrub pad, cleaning towel and cloths, eye protection and dust mask (optional).

CAUTION: WEAR PROTECTIVE RUBBER GLOVES WHEN CLEANING THE OVEN.

NEVER use sharp implements or harsh abrasives on any part of the oven.



WARNING: DO NOT USE CAUSTIC CLEANERS ON ANY PART OF THE OVEN OR OVEN CAVITY AS IT WILL CAUSE PERMANENT DAMAGE TO THE CATALYTIC CONVERTORS

Complete COOL DOWN procedure and allow the oven and accessories to cool before commencing cleaning.



DO NOT USE TOOLS

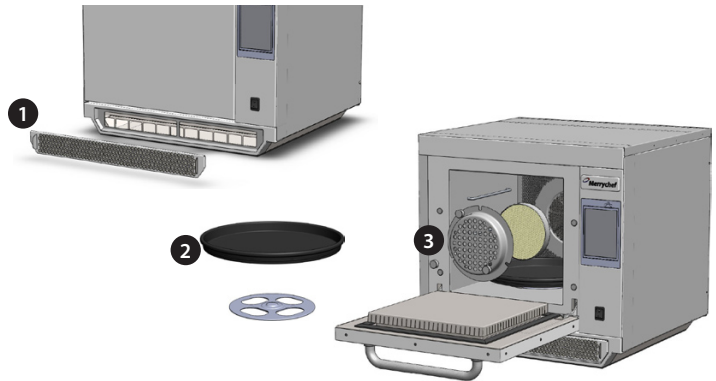
e3 Cold oven CLEANING INSTRUCTIONS e3

REMOVE & CLEAN Oven Parts:

1. Remove the air filter at the base of the oven.
2. Open the oven door and lift out the turntable.
3. For ovens with a catalytic converter; open the oven door and undo fasteners to remove the catalytic convertor when required or at least once a month.

Wash all parts in warm soapy water. Wash off using a clean cloth and plenty of clean, warm water.

Dry using a fresh, clean cloth.



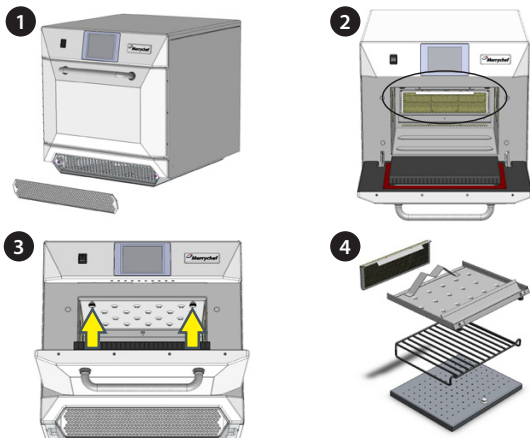
e4 Cold oven CLEANING INSTRUCTIONS e4

REMOVE & CLEAN Oven Parts:

1. Remove the air filter at the base of the oven.
2. Open the oven door, remove the rack, pull the grease filter handle downwards and lift out.
3. Undo the fasteners securing the top impinger plate.
4. Remove top impinger plate and lift out bottom impinger plate.

Wash all parts in warm soapy water. Wash off using a clean cloth and plenty of clean, warm water.

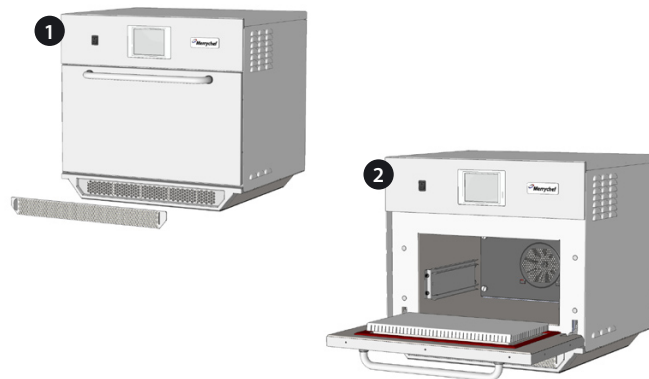
Dry using a fresh, clean cloth.



e5 Cold oven CLEANING INSTRUCTIONS e5

REMOVE & CLEAN Oven Parts:

1. Remove the air filter at the base of the oven.
 2. Open the oven door to remove any cooking trays/rack.
- Wash all parts in warm soapy water. Wash off using a clean cloth and plenty of clean, warm water.
- Dry using a fresh, clean cloth.



CLEAN THE OVEN:

1. Remove any spillages with disposable paper wipes.

Use a dry clean brush to remove any food particles from between the oven floor and the inside of the front door.

2. Wear protective rubber gloves and protective glasses, carefully spray a non-caustic proprietary branded Oven Cleaner onto all the internal surfaces of the oven except the door seal (A).

DO NOT spray directly into the fan opening at the rear inside of the oven.

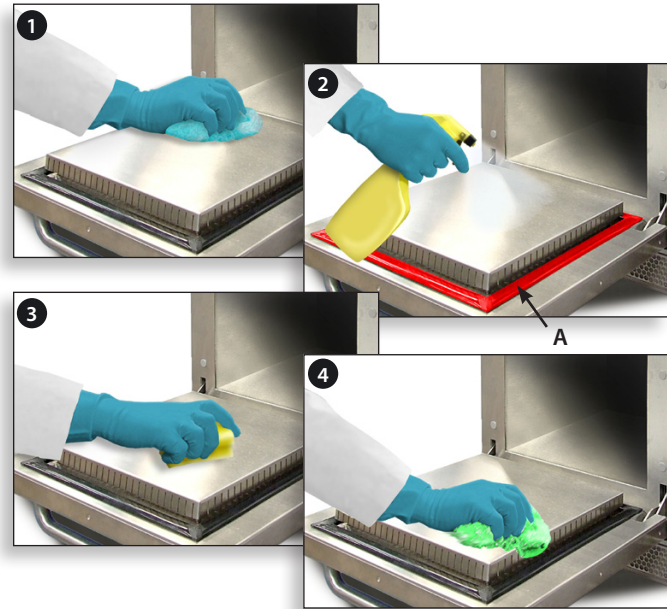
3. For difficult areas, leave to soak for 10 minutes with the oven door open.

Use a non-abrasive nylon scrub pad/sponge to clean the cavity, roof and the inside of the door. Do not scrub the door seal or use metallic scourers.

4. Wash off using a clean cloth and plenty of clean warm water and dry using a fresh clean cloth or paper towel.

Replace all the cleaned oven parts.

Close the oven door and wipe the outside of the oven with a damp cloth.



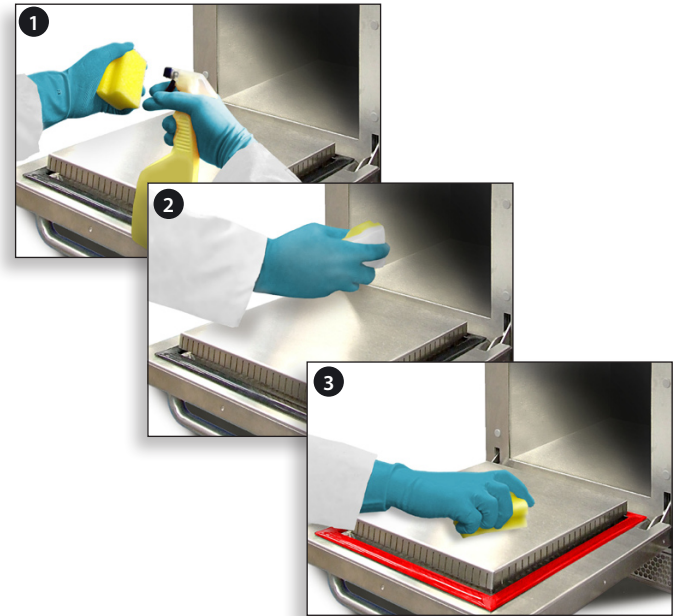
DO NOT USE THE OVEN WITHOUT A CLEAN AIR FILTER IN PLACE

APPLY OVEN PROTECTOR:

1. Only apply to a clean oven. Spray proprietary branded Oven Protector onto a sponge.
2. Spread Oven Protector lightly onto all internal surfaces of the oven.
3. Spread Oven Protector lightly onto the internal surface of the oven door avoiding the door seal.

Switch on the oven and preheat. When the oven has reached operating temperature it will take about 30mins to cure the Oven Protector.

Note: Oven protector turns light brown when cured.



FAULT FINDING CHART

Although every effort is made to ensure your oven will continue to perform to a high standard, please check the chart to see if the problem can be easily resolved before contacting your service agent.

PROBLEM	POSSIBLE CAUSE	REMEDY
The oven does not work and the display screen is blank	The oven has no power	Check if there is a power cut. Check the isolator switch is ON or the oven is plugged in correctly. Check the oven switch is ON.
Some screen controls do not work	Unauthorised access	Contact the authorised user.
Display shows a warning message	Details are shown on screen	Follow the instructions displayed.
The oven does not cook the food correctly	Oven not clean Food not at correct temperature Modified or wrong program selected Food wrapped Food removed early	Clean the oven (see cleaning). Use the correct cooking program. Unwrap food for non-microwave cooking. Check all the cooking stages have been followed correctly.
The oven does not finish cooking	Warning message displayed Oven door opened No air filter or incorrectly fitted Oven overheating	Close oven door. Refit air filter. Allow the oven to cool down. Check and remove any restrictions around the air vents.
Display shows an error code	Oven malfunction	Note the error code and contact your Service Agent.



Merrychef USA

1111 North Hadley RD

Fort Wayne

IN 46804 USA

Phone: 877/404 - 6872

Fax: 800/285 - 9511

e-mail: info@merrychefusa.com

www.merrychefusa.com



Merrychef reserves the right to change product specifications without notice and accepts no liability for any inaccuracies, errors or omissions contained herein.

INTRODUCTION

Ces fours offrent aux opérateurs la flexibilité de la cuisson combinée à laquelle s'ajoute le contrôle de la vitesse du ventilateur et de la puissance HF.

La cuisson combinée permet de réaliser des résultats de haute qualité en une fraction du temps requis pour la cuisson conventionnelle particulièrement pour la cuisson au four, le brunissage, le rôtissage et la cuisson sur grille des plats.

Une fois établies, les instructions précises pour la cuisson combinée ou par convection d'aliments sélectionnés peuvent être programmées dans la mémoire du four pour qu'elles puissent être répétées facilement et avec précision. Jusqu'à 1024 programmes peuvent être enregistrés et simplement rappelés.

Programmation à stages multiples

Les commandes du four offrent même une flexibilité plus grande en permettant la programmation à stages multiples. Ceci permet de créer les conditions exactes requises pour obtenir des résultats de qualité en fonction du type d'aliment.

Un programme de cuisson unique peut avoir jusqu'à 6 stages, chaque stage ayant ses propres réglages du temps, de la vitesse du ventilateur et de la puissance HF (selon le modèle).



PRÉCAUTIONS POUR ÉVITER L'EXPOSITION EXCESSIVE POSSIBLE À L'ÉNERGIE HF

- a) Ne pas tenter d'opérer ce four lorsque la porte est ouverte puisque le fonctionnement avec la porte ouverte peut résulter en une exposition dangereuse à l'énergie HF. Il est important de ne pas trafiquer les dispositifs du verrouillage sécuritaire.
- b) Ne jamais placer d'objet entre l'avant du four et la porte ou permettre aux saletés ou aux résidus du nettoyeur de s'accumuler sur les surfaces d'étanchéité.
- c) Ne pas utiliser le four si celui-ci est endommagé. Il est particulièrement important que la porte se ferme correctement et qu'il n'existe aucun signe de dommage sur (1) la porte (pliée), (2) les charnières et les verrous (cassés ou desserrés), (3) les joints de la portes et les surfaces d'étanchéité.
- d) Le four ne devrait pas être ajusté ou réparé par personne d'autre que le personnel de service qualifié.

Les instructions présentées dans ce guide sont prévues pour assurer la sécurité et la longue vie utile de votre four Merrychef.

«»VEUILLEZ LIRE AVEC SOIN LES INSTRUCTIONS SUIVANTES PORTANT SUR LA SÉCURITÉ

RENSEIGNEMENTS IMPORTANTS À LIRE AVANT L'UTILISATION

Les utilisateurs sont avisés que l'entretien et les réparations devraient être effectués par un agent de service autorisé de Merrychef utilisant des pièces de rechange d'origine Merrychef. Merrychef rejette toute responsabilité relativement à tout produit qui a été installé, ajusté, utilisé incorrectement ou qui n'est pas entretenu conformément aux codes fédéraux, provinciaux et locaux ou aux instructions d'installation fournies avec l'appareil, ou à tout produit dont le numéro de série a été abîmé, effacé ou enlevé, ou qui a été modifié ou réparé en utilisant des pièces non-autorisées ou par des agents de service non-autorisés. Pour la liste des agents de service autorisés, se référer à la dernière page de ce manuel. Les renseignements contenus dans ce manuel (incluant les spécifications de la conception et des pièces) peuvent être remplacés et sont sous réserve de changements sans préavis.

Ce manuel est le Guide pour le démarrage rapide seulement. Pour de plus amples informations, référer aux Instructions d'installation et d'opération pertinentes au site Web www.merrychef.com

L'affichage, la configuration et les icônes de l'écran easyTOUCH illustrés dans ce document sont présentés uniquement à des fins de renseignement et ne sont pas prévus être la représentation exacte de ceux offerts avec le four.

INTRODUCTION	26
SÉCURITÉ ET RÉGLEMENTATION	
DIRECTIVES IMPORTANTES PORTANT SUR LA SÉCURITÉ	28
PRÉCAUTIONS À PRENDRE	30
USTENSILES DE CUISSON APPROPRIÉS	31
FONCTIONS PRINCIPALES	32
DÉTAILS DU PRODUIT	
SPÉCIFICATIONS TECHNIQUES	34
Spécifications	34
Numéro de série (plaque signalétique) :	34
INSTALLATION	35
EMPLACEMENT ET POSITIONNEMENT DU FOUR	35
FONCTIONNEMENT ET COMMANDES	
GUIDE DU DÉMARRAGE RAPIDE: FOUR À SERVICE RAPIDE	36
DÉMARRAGE	36
UTILISATION D'UN PROGRAMME DE CUISSON	37
GUIDE D'UTILISATION: FOUR À SERVICE COMPLET	38
ÉCRAN DU MENU PRINCIPAL ET CLAVIER easyTOUCH	38
« PRESS & GO »	39
UTILISATION D'UN PROGRAMME DU LIVRE DE RECETTES	40
SCREEN SAVER	41
CHANGEMENT DE LA TEMPÉRATURE DU FOUR	41
NETTOYAGE ET ENTRETIEN	
REFROIDISSEMENT DU FOUR AVANT LE NETTOYAGE	42
Refroidissement du four	42
Préparation pour nettoyer le four	42
INSTRUCTIONS DE NETTOYAGE du four froid e3	43
INSTRUCTIONS DE NETTOYAGE du four froid e4	44
INSTRUCTIONS DE NETTOYAGE du four froid e5	44
RECHERCHE DE DÉFAUTS	
TABLEAU DE DÉPANNAGE	47

DIRECTIVES IMPORTANTES PORTANT SUR LA SÉCURITÉ

Lors de l'utilisation d'appareils électriques, des précautions sécuritaires fondamentales doivent être prises incluant ce qui suit :

AVERTISSEMENT: Pour réduire les risques de brûlures, de chocs électriques, d'incendie, de blessures corporelles ou d'exposition excessive à l'énergie HF :

1. Lire toutes les directives avant d'utiliser l'appareil.
2. Lire et observer spécifiquement les « PRÉCAUTIONS POUR ÉVITER UNE EXPOSITION EXCESSIVE À L'ÉNERGIE HF » indiquées à la page d'introduction.
3. Cet appareil doit être mis à la terre. Ne le brancher qu'à une prise de courant correctement mise à la terre. Voir « INSTALLATION ÉLECTRIQUE ».
4. Installer ou localiser cet appareil conformément aux instructions d'installation fournies.
5. Certains produits comme des oeufs entiers et des contenants scellés (pots fermés par exemple) peuvent exploser et ne devraient pas être chauffés dans ce four.
6. Utiliser cet appareil uniquement aux fins prévues décrites dans le manuel. Ne pas utiliser de produits chimiques ou des vapeurs corrosifs dans cet appareil. Ce type de four est conçu spécialement pour chauffer, cuire ou sécher des aliments. Il n'est pas conçu pour un usage commercial ou en laboratoire.
7. Cet appareil ne devrait pas être utilisé par les enfants.
8. Ne pas utiliser cet appareil si le cordon électrique ou la prise sont endommagés, s'il ne fonctionne pas correctement ou s'il a été endommagé ou échappé.
9. Cet appareil doit être entretenu uniquement par un personnel de service qualifié. Contacter le centre de service autorisé le plus près pour l'inspection, la réparation ou les ajustements.
- 10 Ne pas couvrir ou bloquer les ouvertures de l'appareil incluant les événements

les filtres à air et les orifices de sortie de la vapeur.

11 Ne pas entreposer cet appareil à l'extérieur. Ne pas utiliser cet appareil près de l'eau (près d'un évier de cuisine, dans une cave humide, près d'une piscine, par exemple).

12. Ne pas immerger le cordon électrique ou la prise dans l'eau.

13. Maintenir le cordon électrique éloigné des surfaces chaudes.

14. Ne pas laisser le cordon électrique pendre sur le bord de la table ou du comptoir.

15. L'un ou l'autre de ce qui suit:

i) Lors du nettoyage des surfaces de la porte et des surfaces du four faisant contact à la fermeture de la porte, utiliser uniquement des savons doux ou des détergents non-abrasifs appliqués avec une éponge ou un linge doux.

ii) Lorsque d'autres instructions de nettoyage sont fournies, voir les instructions de nettoyage des surfaces de la porte.

16. Pour réduire les risques d'incendie dans la cavité:

i) Ne pas faire trop cuire les aliments. Surveiller l'appareil avec soin si des matériaux de papier, de plastique ou autres matériaux combustibles sont placés dans le four pour faciliter la cuisson.

ii) Enlever les ligatures métalliques des sacs de papier ou de plastique avant de les placer dans le four.

iii) Si les matériaux dans le four s'enflamment, maintenir la porte du four fermée, commuter le four hors circuit, débrancher le cordon électrique et couper l'alimentation électrique au panneau des fusibles ou des disjoncteurs.

iv) Ne pas utiliser la cavité du four à des fins d'entreposage. Ne pas laisser de produits de papier, d'ustensiles de cuisson ou des aliments dans la cavité lorsque le four n'est pas utilisé.

17. Des liquides comme l'eau, le café ou le thé peuvent être surchauffés au-delà du point d'ébullition sans qu'il y ait des signes d'ébullition. Des signes visibles de bouillonnement ou d'ébullition ne sont pas toujours présents lorsque le contenant est retiré du four micro-ondes. CECI POURRAIT RÉSULTER EN UNE ÉBULLITION SOUDAINE LORSQUE LE CONTENANT EST DÉPLACÉ OU LORSQU'UN USTENSILE EST INTRODUIT DANS LE LIQUIDE.

18. NE PAS UTILISER la fonction micro-ondes seulement ou la fonction combinée s'il n'y a pas d'aliment ou de liquide dans le four puisque ceci pourrait causer une surchauffe et des dommages.

19. NE JAMAIS RETIRER le boîtier extérieur du four.

20. NE JAMAIS RETIRER les parties internes fixes du four.

21. NE JAMAIS TRAFIQUER le tableau de commande, la porte, les joints ou toute autre pièce du four.

22. NE JAMAIS OBSTRUER les événements et les filtres à air ou l'orifice de sortie de la vapeur.

23. NE JAMAIS SUSPENDRE de torchons ou de linges à vaisselle sur une partie du four.

24. Si les joints de la porte sont endommagés, le four doit être réparé par un agent de service agréé.

25. Si le cordon électrique est endommagé de quelque façon, il DOIT être réparé par un agent de service agréé.

26. Lors de la manipulation de liquides, aliments et contenants chauds, prendre des précautions pour éviter les brûlures.

27. Lors du chauffage de liquides utilisant la fonction micro-ondes seulement ou la fonction combinée, le contenu devrait être brassé avant le chauffage pour éviter l'ébullition éruptive.

28. Les biberons et les jarres d'aliment pour bébé ne devraient pas être chauffés dans cet appareil.

29. Ne jamais utiliser le four pour chauffer de l'alcool, c.-à-d., brandy, rhum, etc. Les aliments contenant de l'alcool peuvent facilement prendre feu s'ils sont surchauffés. Être prudent et ne jamais laisser le four sans surveillance.

30. Ne jamais tenter de friture dans le four.

31. L'appareil n'est pas conçu pour être utilisé par les enfants ou les personnes infirmes sans supervision.

32. Les enfants devraient être surveillés pour s'assurer qu'ils ne jouent pas avec l'appareil.

CONSERVER CES INSTRUCTIONS

PRÉCAUTIONS À PRENDRE

1. Lire ce manuel au complet avant d'utiliser votre four.
2. Comme pour tous les appareils électriques, il est sage de faire inspecter les connexions électriques au moins une fois par année.
3. L'intérieur du four, les joints de la porte devraient être nettoyés fréquemment, conformément aux directives présentées à la section portant sur le nettoyage. Le manquement à ces directives peut créer des situations dangereuses.
4. Commuter le four hors circuit à la fin de toutes les sessions de cuisson pour la journée.
5. Le four ne doit pas être utilisé pour faire sécher des linges.
6. Comme pour tout autre appareil de cuisson, prendre soin d'éviter toute combustion d'articles dans le fourneau.
7. Les aliments dans des contenants combustibles de plastique ou de papier devraient être transférés dans des contenants pouvant être utilisés dans un four à micro-ondes/ordinaires pour prévenir les risques d'ignition.

Si on observe de la fumée:

- Commuter le four hors circuit
- Fermer le disjoncteur/commutateur de l'alimentation électrique
- Garder la porte fermée pour étouffer les flammes

8. Les articles devraient être déballés lorsque les fonctions de cuisson par convection ou combinée sont utilisées.
9. Les oeufs en coquille et les oeufs durs complets ne doivent pas être chauffés dans le four puisqu'ils peuvent exploser.
10. Les aliments avec pelure, c.-à-d., pommes de terre, pommes, saucisse, etc. devraient être percés avant d'être chauffés.
11. Les aliments ne doivent pas être chauffés dans un contenant complètement scellé puisque la montée de vapeur peut causer une explosion.
12. L'excès de gras devrait être enlevé durant le rôtissage et avant de retirer des contenants lourds du four.
13. Dans le cas où du verre casse ou se brise dans le four, s'assurer que les aliments sont complètement libres de toutes particules de verre. En cas de doute, jeter tous les aliments qui se trouvaient dans le four au moment du bris.
14. NE JAMAIS TENTER d'utiliser le four lorsqu'un objet bloque la porte qui ne se ferme pas correctement ainsi que lorsque la porte, le verrouillage, les surfaces d'étanchéité sont endommagées ou lorsqu'il n'y a pas d'aliments dans le four.

USTENSILES DE CUISSON APPROPRIÉS

Les directives du fabricant devraient être consultées pour déterminer l'adéquation de chaque contenant et ustensile individuel pour chacune des fonctions de la cuisson. Le tableau suivant présente les directives générales:

Contenants résistant à la chaleur		
Verre trempé Céramique vitreuse Grès, faïence (porcelaine/poterie/etc.)	✓ ✓ ✓	Ne pas utiliser d'articles portant des décorations métalliques.
Plateaux métalliques et de feuilles métalliques		
Plateaux métalliques NE PAS UTILISER D'AUTRES CONTENANTS MÉTALLIQUES OU DE FEUILLES MÉTALLIQUES	✓	Les plateaux métalliques ne peuvent être utilisés que lorsqu'ils sont placés sur la GRILLE VITREUSE dans la cavité du four. Ne pas cuire les aliments directement sur la grille en émail vitrifié.
Contenants de plastique		
Contenants de plastique utilisables dans les deux types de fours	✓	(jusqu'à certaines températures) sont maintenant disponibles. Vérifier les directives du fabricant avant d'utiliser.
Contenants jetables		
NE PAS UTILISER Combustibles (papier/carton/etc.)	✗	
Autres ustensiles		
Attaches-étiquettes Coutellerie Capteurs thermiques	✗ ✗ ✗	Aucun ustensile de cuisine ne doit être laissé dans les aliments pendant qu'ils cuisent dans le four.

FONCTIONS PRINCIPALES

1 COMMUTATEUR « MARCH/ARRÊT »

Lorsqu'il est commuté à la position « MARCHE », l'écran « easyTOUCH » illumine les commandes du four. Remarque: Commuter le commutateur à la position « OFF » n'isole pas le four de l'alimentation électrique.

2 TABLEAU DE COMMANDE DE L'ÉCRAN « easyTOUCH »

Voir la section UTILISATION ET COMMANDES pour de plus amples informations.

3 PLAQUE SIGNALÉTIQUE

Située sur le panneau arrière du four, elle indique le numéro de série, le modèle et les spécifications électriques

4 « MenuConnect™ » (Connexion aux menus)

Un connecteur USB situé sous le logo Merrychef permet d'apporter des changements aux programmes enregistrés dans le four (Voir USB MenuConnect™ Manuel de l'utilisateur, et l'opération & section Commandes de ce manuel, pour plus de détails sur les programmes de mise à jour au four).

5 SORTIES D'AIR

L'air utilisé pour refroidir les composantes internes et la vapeur provenant de la cavité s'échappent par les événements de sortie d'air à l'arrière du four et sur le panneau latéral du modèle e5.

6 FILTRE DE L'ENTRÉE D'AIR

Le filtre d'air situé au bas du panneau avant du four fait partie du système de ventilation et doit être maintenu libre d'obstruction et nettoyé quotidiennement tel qu'indiqué à la section NETTOYAGE ET ENTRETIEN. Noter que le four ne fonctionnera pas si le filtre à air n'est pas en place.

7 POIGNÉE DE LA PORTE

Il s'agit d'une barre rigide qui est tiré vers l'avant et le bas du four pour ouvrir celui-ci.

8 PORTE DU FOUR

Il s'agit d'une barrière d'énergie fabriquée avec précision et équipée de trois dispositifs de verrouillage de protection contre les micro-ondes. La porte doit être maintenue propre (voir la section « NETTOYAGE ») et ne doit pas être utilisée pour supporter des objets lourds.

9 JOINTS DE LA PORTE

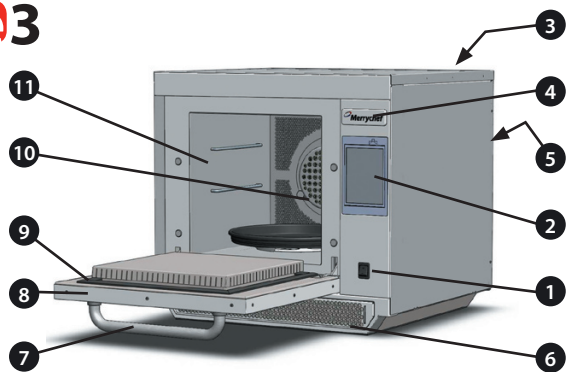
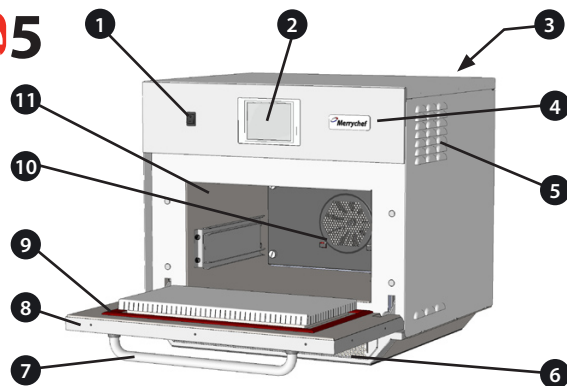
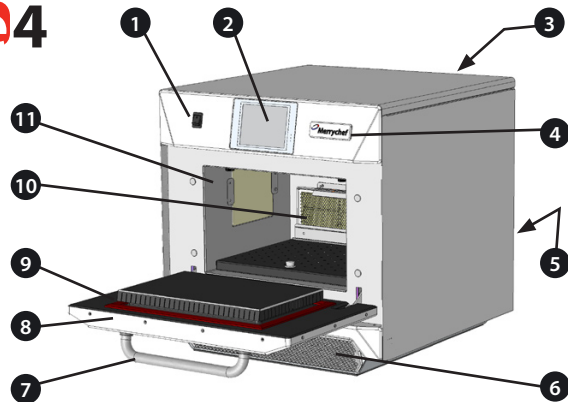
Ceux-ci assurent l'étanchéité autour de la porte. Ils devraient être maintenus propres et inspectés régulièrement pour tous signes de dommage. Au premier signe d'usure, ils devraient être remplacés par un technicien de service agréé de Merrychef.

10 VENTILATEUR DU CHAUFFAGE À CONVECTION, FILTRE À GRAISSE ET CONVERTISSEUR CATALYTIQUE (selon les modèles)

Le filtre à graisse métallique couvrant le ventilateur du chauffage à convection doit être maintenu propre et libre de débris. Un soin particulier doit être apporté lors du nettoyage de ce secteur du four en respectant les exigences des différents fours indiquées à la section NETTOYAGE ET ENTRETIEN de ce manuel.

11 CAVITÉ DU FOUR

La cavité du four est fabriquée d'acier inoxydable et doit être maintenu propre en suivant les directives de nettoyage de la section « NETTOYAGE ET ENTRETIEN » de ce manuel.

e3**e5****e4**

SPÉCIFICATIONS TECHNIQUES

Spécifications

Description	Unité	e3	e4	e5
Commandes de l'écran tactile	programmes	1024	1024	1024
Température ambiante de service	°C/°F	<40/104	<40/104	<40/104
Dimensions externes HxLxP	mm	551x598x622	591x584x750	642x711x705
Dimensions externes HxLxP	pouces	21.7x23.5x24.5	23.3x23.0x29.5	25.3x28.0x27.8
Dimensions internes HxLxP	mm	319x332x325	218x375x312	258.4x495x363.5
Dimensions internes HxLxP	pouces	12.6x13.1x12.8	8.6x14.8x12.3	10.17x19.49x14.31
Chambre de cuisson	Litre (po ³)	34.4 (2113)	25.5 (1566)	44.4 (2730)
Puissance de sortie (micro-ondes)	Watts	700/1000	1500	1400
Puissance de sortie (convection)	kW	3 (3/1.5 EE)	3.2	3.2
Bloc d'alimentation	Hz	60	60	60
Bloc d'alimentation	V	208 & 240	208 & 240	208 & 240
Bloc d'alimentation	kW	3(EE) 4.3(XE) 4.7(XX)	6.2	6.2
Poids net du four emballé	kg (lb)	62.5 (138)	82.5 (182)	94.0 (207)
Niveau sonore	dB(A)	<70	<70	<70
Empilage (avec trousse)	four	0	1	0

Numéro de série (plaque signalétique) :

Numéro de série : AA MM USINE NUMÉRO DE SÉRIE C.-à-d., 10 06 2130 12345 (1006213012345)

Four fabriqué 2010 en juin à Sheffield (R.-U.), numéro de production 12345.

Code d'article : MODÈLE MICRO-ONDES À CONVECTION TENSION FRÉQUENCE CONNECTEUR DU CORDON TYPE DE COMMUNICATION CLIENT/ACCESSOIRE PAYS C.-à-d., e4C S V MV 6 D F U 1 GM US (e4CSVMV6DFU1GMUS)

Modèle e4C, 3200 W, 1500 W, 208 V, 60 Hz, 2Br+Masse (30A), connecteur moulé NEMA 6-30P, USB, 1, marché général, USA.

INSTALLATION

EMPLACEMENT ET POSITIONNEMENT DU FOUR

Choisir un endroit éloigné des sources de chaleur importantes.

NE PAS LE POSITIONNER pour que l'air chaud provenant des friteuses, des grilles, des plaques chauffantes, etc., soit aspiré dans le four.

Une barrière thermique à la hauteur du four doit être installée si le four est situé près d'une plaque chauffante, d'un poêle ou d'un fourneau.

Placer le four sur une surface anti-glissante, ininflammable et plane qui est AU NIVEAU, STABLE et suffisamment ROBUSTE pour supporter le four et son contenu.

Allouer un dégagement minimal (A) de 2 pouces (916mm) autour du four pour permettre à l'air chaud de s'échapper.

Allouer un dégagement suffisant (B), à l'avant du four, pour permettre à la porte de s'ouvrir complètement.

Placez le four (modèles e4 et e5 seulement) au moins 36 pouces (916mm) de (C) au-dessus du plancher.

La prise d'air est située dans la partie inférieure du panneau avant du four (1) et il est important que le flux d'air soit aussi frais que possible et non préchauffé par d'autres appareils comme les brûleurs, les poêles, les fourneaux, les friteuses, les grilles ou les plaques chauffantes puisque ceci affectera la vie utile et la performance du four.

Ne pas appliquer d'étiquettes ou d'autocollants sur le four autres que ceux appliqués ou approuvés par le fabricant.



Le four ne fonctionnera pas si le FILTRE À AIR n'est pas installé correctement en place.

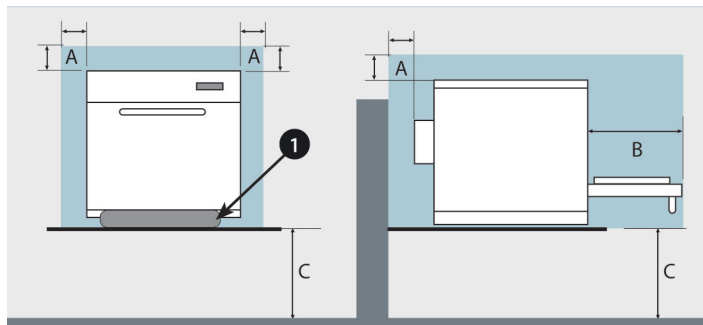


DANGER!

CET APPAREIL DOIT ÊTRE MIS À LA TERRE. LE MANQUEMENT À CETTE RÈGLE PEUT RÉSULTER EN DES CHOCS ÉLECTRIQUES POUVANT CAUSER LA MORT.

Le four doit être branché à une prise de courant qui est installée et mise à la terre correctement. En cas de doute, consulter un électricien qualifié.

Veuillez se référer au site Web www.merrychef.com de Merrychef pour de pleins détails électriques d'installation. Si vous avez accès ou avez besoin davantage de clarification, entrez en contact avec svp un agent de service.



MANUTENTION ET ENTREPOSAGE:

Lors du déplacement d'un four, toujours respecter les exigences fédérales, provinciales et locales en ce qui a trait au levage et au transport d'objets lourds. Ne pas utiliser la poignée de la porte pour lever le four.

Lorsqu'il n'est pas utilisé, débrancher le four et entreposer-le de manière sécuritaire dans un endroit frais et sec. Ne pas empiler les fours les uns sur les autres.

GUIDE DU DÉMARRAGE RAPIDE: FOUR À SERVICE RAPIDE

DÉMARRAGE

1. Allumer le four.

Effectuer toutes les vérifications de sécurité appropriées et s'assurer que le four est propre et vide avant de presser vers le bas le commutateur du four pour activer celui-ci.

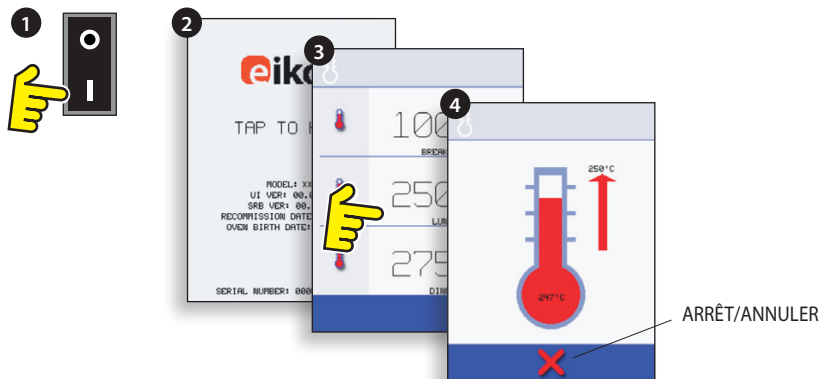
2. L'écran easyTOUCH s'allume affichant brièvement le numéro de série et les données du four. Taper l'écran légèrement une fois pour geler l'affichage; taper de nouveau pour continuer.

3. Lorsque le four est programmé avec deux températures de préchauffage ou plus, un choix est affiché.

Les flèches de défilement au bas de l'écran indiquent qu'il existe plus de choix de températures non-affichées à l'écran. Au besoin, utiliser les flèches de défilement puis sélectionner la température requise pour lancer le préchauffage du four.

4. Pendant le préchauffage, l'écran affiche le progrès au fur et à mesure que le four se réchauffe vers la température établie. (Pour interrompre le chauffage du four, toucher le symbole rouge « X ».)

5. Le four est prêt à être utilisé lorsque le « LIVRE DE RECETTE » est affiché.



5 AFFICHAGE DU LIVRE DE RECETTE

VÁRIOS IDIOMAS INSTALADOS

AFFICHE TOUS LES PROGRAMMES DE CUISSON (facultatif)

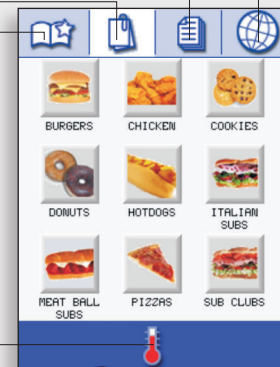
AFFICHE LES GROUPES DE PROGRAMMES

FAVORIS (optionnel)

GRUPE DE PROGRAMMES

Chaque groupe comprend une série de programmes de cuissons.

CHANGER LA TEMPÉRATURE DU FOUR (facultatif)



UTILISATION D'UN PROGRAMME DE CUISSON



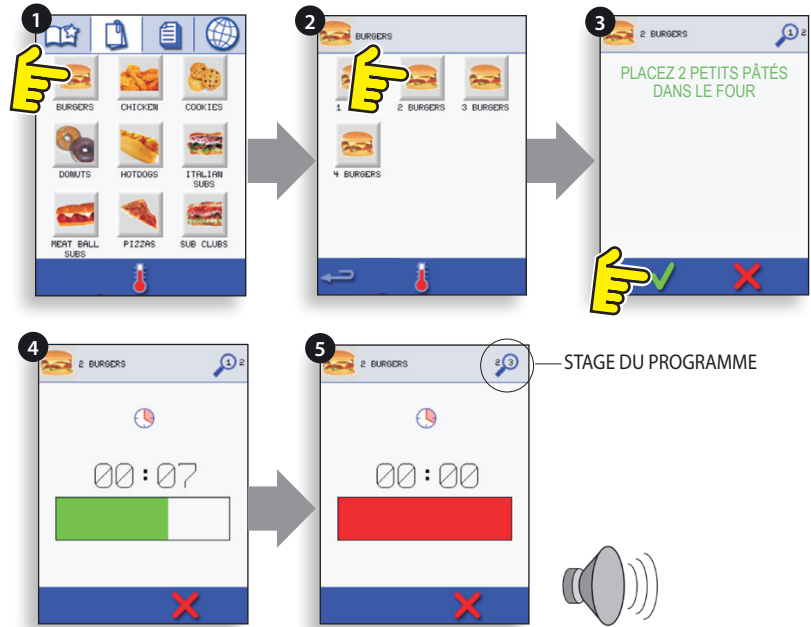
Prenant toutes les précautions nécessaires pour éviter les brûlures, ouvrir la porte du four pour y placer les aliments et fermer la porte.

1. Sélectionner un groupe de programmes, par exemple, « BURGERS » pour afficher les programmes de cuisson individuels.
2. Sélectionner un programme de cuisson à commencer, par exemple, « 2 BURGERS ».
3. Suivre les instructions s'il y en a d'affichées à l'écran.
4. Toucher la coche verte pour la cuisson.

Le temps de cuisson est décompté pour chaque stage du programme.

5. Lorsque le programme se termine, une barre rouge est affichée normalement accompagnée d'un avertissement sonore - ouvrir la porte ou toucher le « X » rouge pour retourner au programme de cuisson.

Remarque: L'ouverture de la porte du four pendant la cuisson interrompt le programme de cuisson et affiche un avertissement. La fermeture de la porte permet à l'utilisateur de continuer ou d'annuler le programme de cuisson.

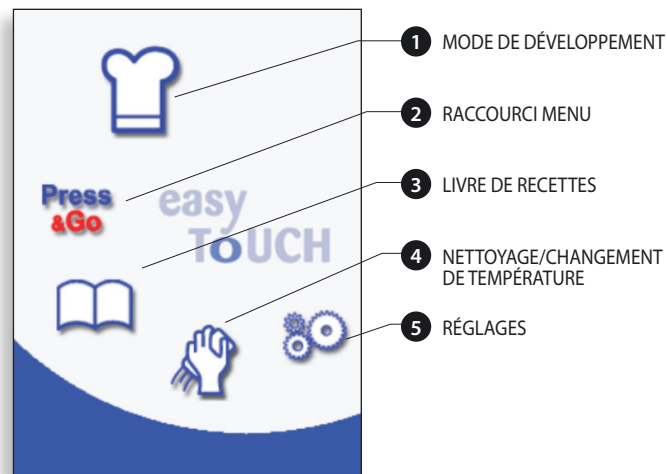


GUIDE D'UTILISATION: FOUR À SERVICE COMPLET

ÉCRAN DU MENU PRINCIPAL ET CLAVIER easyTOUCH

ÉCRAN DU MENU PRINCIPAL:

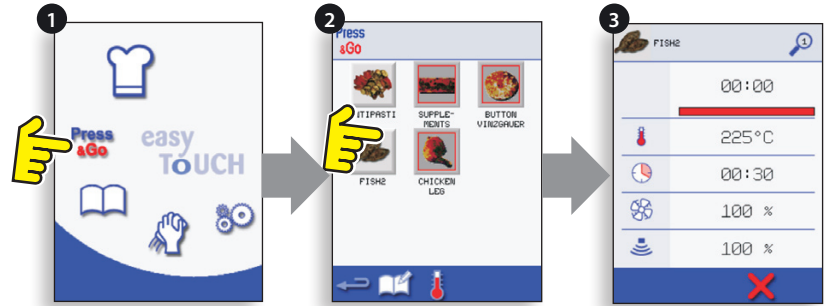
1. Le « MODE DE DÉVELOPPEMENT » permet de développer des programmes de cuissons et de les sauvegarder sous un nom et un symbole pour utilisation répétée.
2. Le mode « PRESS & GO » permet d'accéder rapidement à l'utilisation de programmes de cuisson qui sont déjà enregistrés.
3. Le « LIVRE DE RECETTES » contient les programmes de cuisson du four. Il affiche les recettes favorites, les groupes de programmes de cuisson et une liste complète de tous les programmes de cuisson disponibles.
4. Le mode « NETTOYAGE/CHANGEMENT TEMPÉRATURE » permet de changer la température du four et de préparer le four pour le nettoyage tout en affichant des rappels pour aider durant le processus de nettoyage.
5. Le mode « RÉGLAGES » est utilisé pour contrôler les réglages et les fonctions du four incluant le temps et la langue, le chargement de programmes de cuisson et à des fins de service et d'entretien.
6. Le « CLAVIER ÉCRAN » est utilisé pour entrer un mot de passe autorisé pour entrer les données des programmes et peut limiter l'accès de l'opérateur à certaines fonctions.



« PRESS & GO »

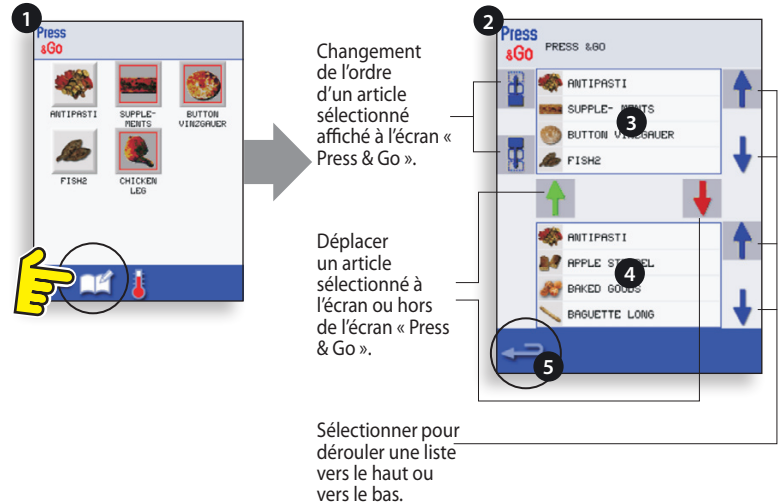
Exécution d'un programme de cuisson à partir du menu « PRESS & GO ».

1. Sélectionner « PRESS & GO » au menu principal de l'écran.
2. Sélectionner l'article devant être cuit.
3. L'affichage indique la température, la durée de la cuisson, la puissance HF et la vitesse du ventilateur alors que la minuterie décompte. La barre de la minuterie devient rouge pour indiquer que le cycle de cuisson est terminé.



Sélection des programmes de cuisson qui sont affichés au menu « PRESS & GO » de l'écran.

1. Après la sélection de « PRESS & GO » au menu principal de l'écran, sélectionner le symbole « RÉVISION ».
2. Deux listes sont affichées, les articles du menu « PRESS & GO » sont affichés dans la liste supérieure et la liste inférieure affiche les autres articles du menu qui sont disponibles. Les deux listes peuvent être déroulées vers le haut ou vers le bas au moyen des flèches à l'extrême droite.
3. Sélectionner un article, puis choisir soit son changement dans l'ordre du menu ou son transfert à la liste inférieure.
4. Sélectionner un article à transférer à la liste supérieure, le rendant disponible au menu « PRESS & GO ».
5. Sélectionner « Précédent » pour retourner au menu de l'écran lorsque le tout est terminé.



Changement de l'ordre d'un article sélectionné à l'écran « Press & Go ».

Déplacer un article sélectionné à l'écran ou hors de l'écran « Press & Go ».

Sélectionner pour dérouler une liste vers le haut ou vers le bas.

UTILISATION D'UN PROGRAMME DU LIVRE DE



AVERTISSEMENT: S'ASSURER QU'IL Y A DES ALIMENTS DANS LE FOUR AVANT D'EXÉCUTER UN PROGRAMME DE CUISSON.

RECETTES

Pour localiser le programme requis dans le livre de recettes.

1. Sélectionner « LIVRE DE RECETTES » au menu principal de l'écran.
2. Sélectionner le symbole « TOUS LES MENUS ».
3. Utilisez les flèches de défilement haut/bas pour trouver le programme.

REMARQUE : Si une image est entourée d'une ligne rouge, la température du four est réglée trop haute ou trop basse pour cette recette. Voir « CHANGEMENT DE LA TEMPÉRATURE DU FOUR ».

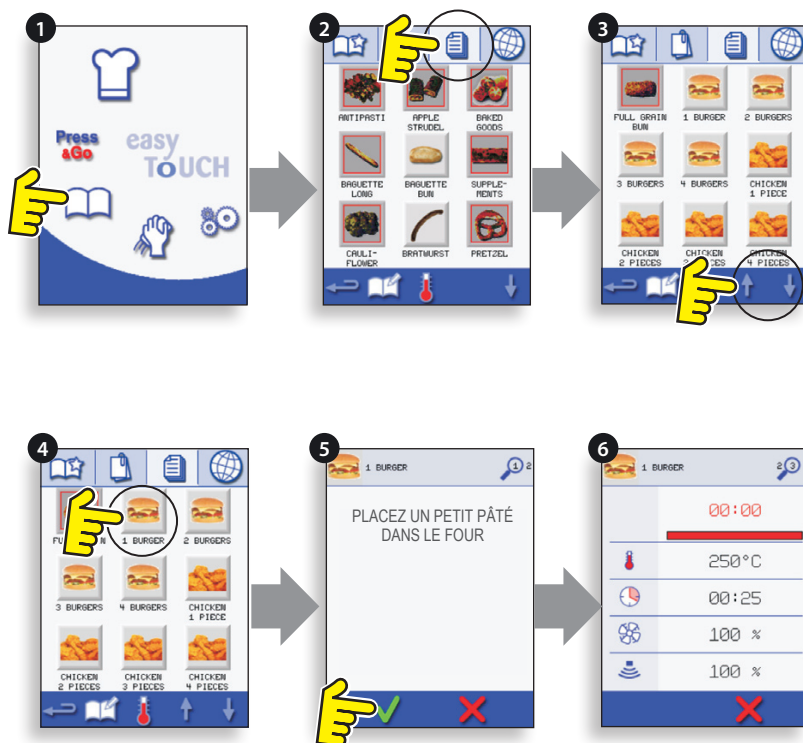
Prenant toutes les précautions requises pour éviter les brûlures, placer les aliments dans la cavité chaude du four et fermer la porte.



**AVERTISSEMENT:
DANGER - SURFACE CHAUDE**

4. Sélectionner le programme de cuisson requis pour commencer la cuisson. Par exemple, « 1 BURGER ».

5. Le programme démarre soit immédiatement en affichant une minuterie à compte à rebours, soit en affichant d'abord une instruction; suivre l'instruction du stage et puis sélectionner « OK » pour commencer la cuisson. Si la porte du four n'est pas ouverte dans les 30 secondes qui suivent, un message d'avertissement est affiché.



6. La minuterie de la cuisson décompte vers zéro et fait entendre un signal sonore pour indiquer que l'intervention de l'opérateur est requise à la fin d'un stage de cuisson ou à la fin d'un programme de cuisson.

Lorsque le programme de cuisson est terminé, l'ouverture de la porte du four pour retirer les aliments retourne l'affichage à l'écran au « LIVRE DE RECETTES ».

Remarque : L'ouverture de la porte du four pendant la cuisson interrompt le programme de cuisson et affiche un avertissement. La fermeture de la porte permet à l'opérateur de continuer ou d'annuler le programme de cuisson.

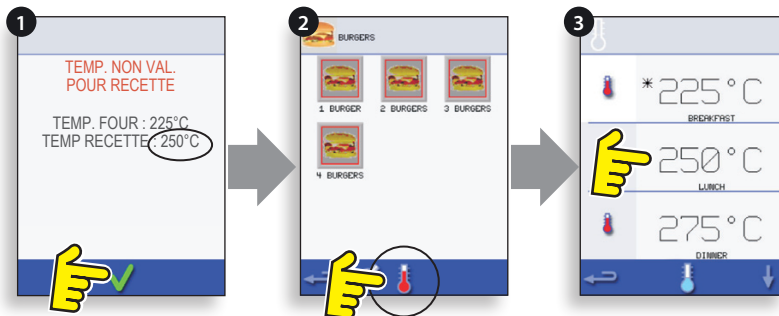
Pour vérifier la température du four pendant la cuisson, taper légèrement la température affichée. La température de la cavité du four est affichée avec un astérisque.

ÉCRAN

Un économiseur d'écran actif masque l'écran affichant une image en mouvement. Pour utiliser l'écran tactile, touchez l'écran pour désactiver l'économiseur d'écran.

CHANGEMENT DE LA TEMPÉRATURE DU FOUR

1. Noter la température requise pour la recette et sélectionner « OK ».
2. Sélectionner le symbole « TEMPÉRATURE ».
3. Un astérisque près du chiffre indique la température actuelle du four. Sélectionner la température du four requise pour la recette. Lorsque le four a atteint la température requise, continuer en sélectionnant « LIVRE DE RECETTES » à l'étape 1.

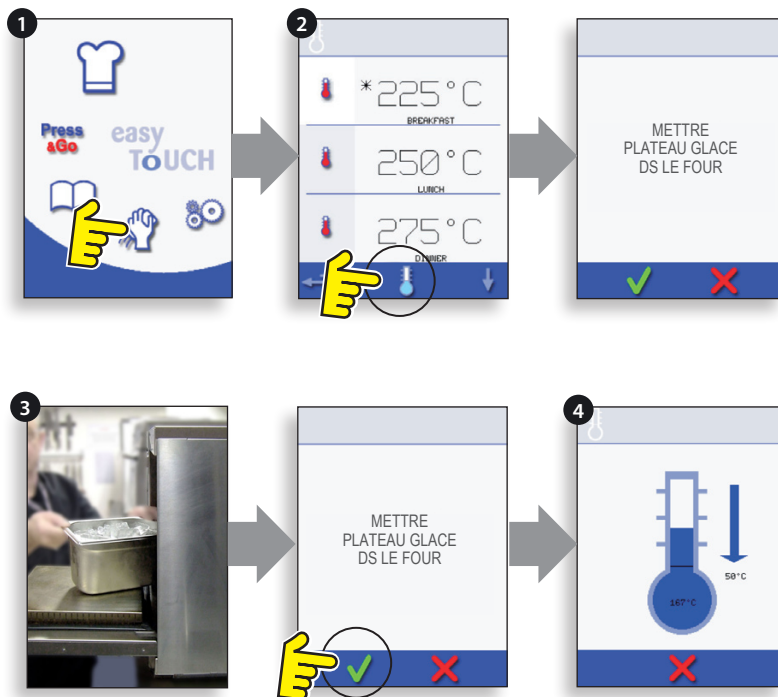


REFROIDISSEMENT DU FOUR AVANT LE NETTOYAGE

Refroidissement du four

IMPORTANT : Le four doit être refroidi avant d'effectuer les processus de nettoyage.

1. Dans le mode « Service complet », sélectionner le symbole « NETTOYAGE » au menu principal.
2. Dans le mode « Service complet » ou dans le mode « Service rapide », sélectionner le symbole « Thermomètre » bleu pour désactiver le chauffage et démarrer le cycle de refroidissement.
3. Prenant toutes les précautions requises, placer un contenant rempli de glace dans la cavité chaude. Sélectionner le symbole « OK » pour continuer.
4. La progression du refroidissement est affichée et nécessite environ 30 minutes.
5. Le four est maintenant prêt pour le nettoyage. Sélectionner « OK » à l'écran après avoir complété chaque étape.



Préparation pour nettoyer le four

Pour que le four offre une efficacité optimale, la cavité, la porte, le filtre à air et le filtre à graisse doivent être maintenus propres.

Un programme de nettoyage quotidien assurera la conformité aux normes d'hygiène requises et aidera à maintenir et à prolonger l'efficacité de votre four.

Équipement requis (non fourni):

L'agent nettoyeur de four non-caustique de marque brevetée, des gants calorifuges, des gants de protection de caoutchouc, un tampon à récurer de nylon non-abrasif, une serviette de nettoyage et des linges, des lunettes de sécurité et un masque antipoussières (facultatif).

AVERTISSEMENT: PORTER DES GANTS PROTECTEURS DE CAOUTCHOUC POUR NETTOYER LE FOUR.

NE JAMAIS utiliser d'outils pointus ou des abrasifs rudes sur aucune partie du four.



AVERTISSEMENT: NE PAS UTILISER D'AGENTS NETTOYEURS CAUSTIQUES SUR AUCUNE PARTIE DU FOUR OU DE LA CAVITÉ PUISQU'ILS CAUSERONT DES DOMMAGES PERMANENTS AUX CONVERTISSEURS CATALYTIQUES.

Compléter la procédure « REFROIDISSEMENT » et permettre au four et aux accessoires de se refroidir avant de commencer le nettoyage.



NE PAS UTILISER D'OUTILS

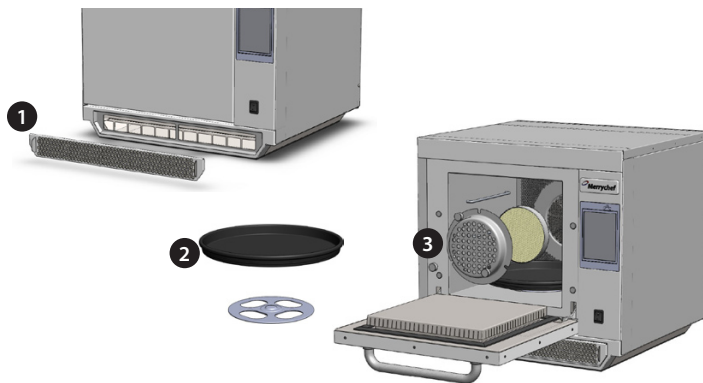
e3 INSTRUCTIONS DE NETTOYAGE du four froid e3

RETRAIT ET NETTOYAGE des pièces du four :

1. Retirer le filtre à l'air à la base du four.
2. Ouvrir la porte du four et retirer le plateau tournant.
3. Pour les fours équipés d'un convertisseur catalytique, ouvrir la porte du four et dévisser les attaches pour retirer le convertisseur catalytique au besoin ou au moins une fois par mois.

Laver toutes les pièces dans de l'eau chaude savonneuse. Rincer avec un linge propre et beaucoup d'eau chaude propre.

Essuyer au moyen d'un linge sec propre.



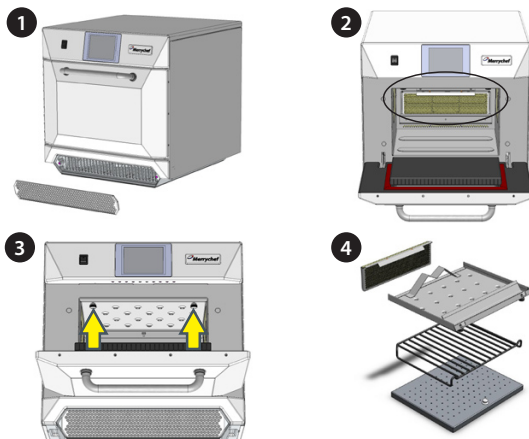
e4 INSTRUCTIONS DE NETTOYAGE du four froid e4

RETRAIT ET NETTOYAGE des pièces du four :

1. Retirer le filtre à air à la base du four.
2. Ouvrir la porte du four, retirer la grille, tirer la poignée du filtre à graisse vers le bas et lever celui-ci vers le haut pour le retirer.
3. Défaire les attaches fixant la plaque du répartiteur du haut.
4. Retirer la plaque du répartiteur et retirer la plaque inférieure du répartiteur.

Laver toutes les pièces dans l'eau chaude savonneuse. Rincer les pièces avec un linge propre et beaucoup d'eau chaude propre.

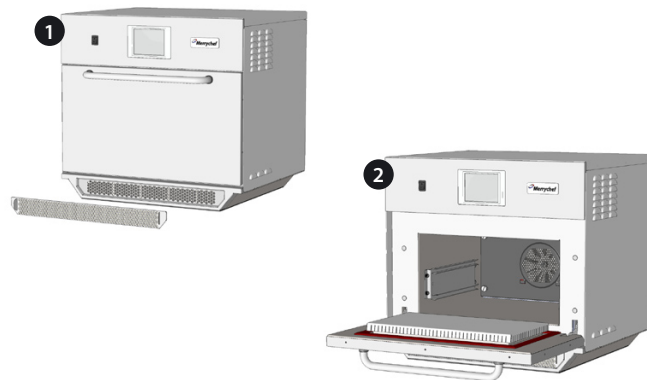
Essuyer avec un linge sec propre.



e5 INSTRUCTIONS DE NETTOYAGE du four froid e5

RETRAIT ET NETTOYAGE des pièces du four :

1. Retirer le filtre à air à la base du four.
 2. Ouvrir la porte du four et retirer tous les plateaux et les grilles.
- Laver toutes les pièces dans de l'eau chaude savonneuse. Rincer avec un linge propre et beaucoup d'eau chaude propre.
- Essuyer avec un linge sec propre.



NETTOYAGE DU FOUR :

1. Nettoyer tous les déversements au moyen de serviettes de papier jetables.

Utiliser une brosse propre sèche pour éliminer toutes les particules de nourriture entre le fond de la cavité du four et l'intérieur de la porte avant.

2. Portant des gants de caoutchouc de protection et des lunettes de sécurité, pulvériser un agent de nettoyage de four non-caustique de marque breveté sur toutes les surfaces internes du four à l'exception du joint de la porte (A).

NE PAS PULVÉRISER directement dans l'ouverture du ventilateur à l'arrière de la cavité du four.

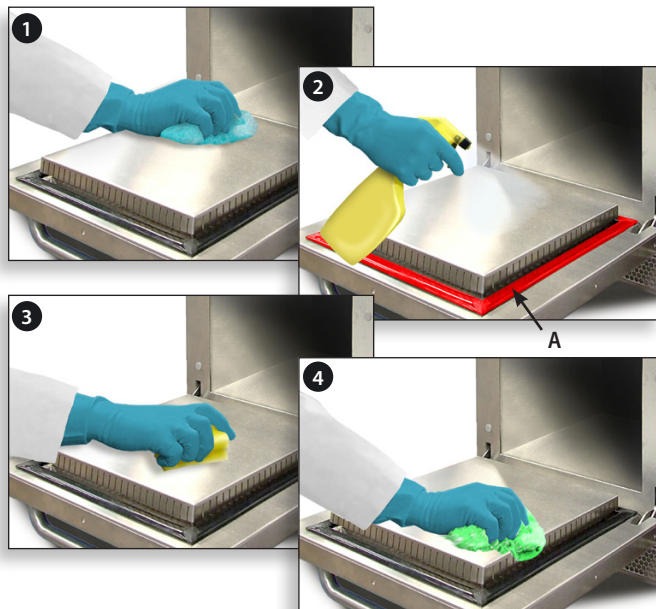
3. Dans les endroits difficiles d'accès, laisser tremper pendant 10 minutes en laissant la porte ouverte.

Utiliser un tampon/une éponge à récurer de nylon non-abrasif pour nettoyer la cavité, le haut et l'intérieur de la porte. Ne pas frotter le joint de la porte et ne pas utiliser de tampons à récurer métalliques.

4. Rincer avec un linge propre et beaucoup d'eau chaude propre et essuyer avec un linge propre sec ou des serviettes de papier.

Replacer toutes les pièces propres du four.

Fermer la porte du four et essuyer l'extérieur du four avec un linge humide.



**NE PAS UTILISER LE FOUR SANS AVOIR UN
FILTRE À AIR PROPRE EN PLACE.**

APPLICATION DE L'AGENT PROTECTEUR DE FOUR :

1. N'appliquer qu'à un four propre. Pulvériser l'agent protecteur de four de marque brevetée sur une éponge.
2. Étendre légèrement l'agent protecteur de four sur toutes les surfaces internes du four.
3. Étendre légèrement l'agent protecteur de four sur la surface interne de la porte évitant de toucher au joint.

Allumer le four et préchauffer. Lorsque le four a atteint sa température de fonctionnement, il faudra environ 30 minutes pour « cuire » l'agent protecteur de four.

Remarque : L'agent protecteur de four devient légèrement brun lorsqu'il est « cuit ».

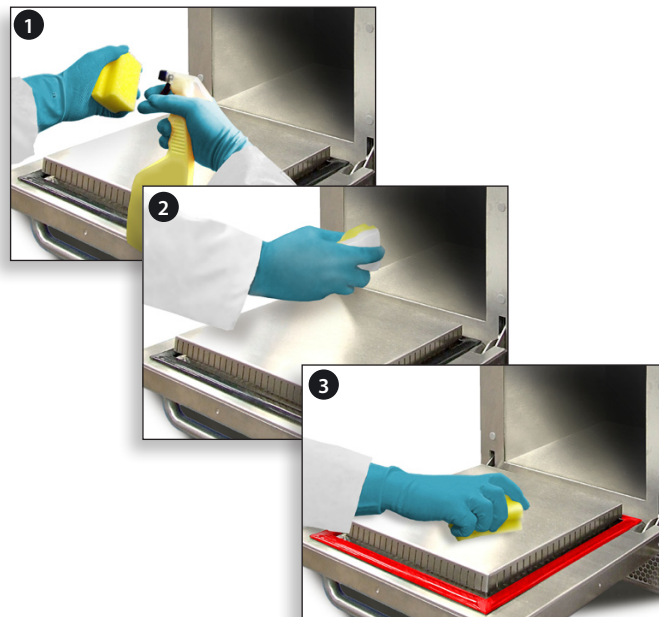


TABLEAU DE DÉPANNAGE

Tous les efforts ont été faits pour assurer que votre four continuera à fonctionner à un niveau de performance très élevé. En cas de panne, veuillez vérifier le tableau pour déterminer si le problème peut être facilement résolu avant de contacter votre agent de service.

PROBLÈME	CAUSE POSSIBLE	REMÈDE
Le four ne fonctionne pas et rien n'est affiché à l'écran	Le four n'est pas alimenté	Vérifier s'il y a une panne de courant. S'assurer que le commutateur d'isolation est à la position « ON » (MARCHE) et que le four est branché correctement. S'assurer que le commutateur du four est à la position « ON » (MARCHE).
Certaines commandes à l'écran ne fonctionnent pas	Accès non-autorisé	Contactez l'utilisateur autorisé.
L'écran affiche un message d'avertissement	Les détails sont affichés à l'écran	Suivez les instructions affichées.
Le four ne cuit pas les aliments correctement	Le four n'est pas propre Les aliments ne sont pas à la bonne température Le programme a été modifié ou un mauvais programme a été sélectionné Les aliments sont emballés Les aliments sont retirés trop tôt	Nettoyer le four (voir nettoyage). Utiliser le bon programme de cuisson. Déballer les aliments pour la cuisson sans micro-ondes. S'assurer que tous les stades de la cuisson ont été suivis correctement.
Le four ne complète pas la cuisson	La porte du four est ouverte. Filtre à air manquant ou incorrectement installé Surchauffe du four	Fermer la porte du four. Installer correctement le filtre à air. Permettre au four de se refroidir. Vérifier et éliminer tout blocage des événements.
L'écran affiche un code d'erreur	Défectuosité du four	Noter le code d'erreur et contacter votre agent de service.



Merrychef USA

1111, North Hadley Road

Fort Wayne

IN 46804 USA

Téléphone : +1 877-404-6872

Télécopieur : +1 800-285-9511

Courrier élect. : info@merrychefusa.com

www.merrychefusa.com



Merrychef se réserve le droit de modifier les spécifications des produits sans préavis et rejette toute responsabilité pour les inexactitudes, erreurs ou omissions contenues dans ce manuel.

INTRODUÇÃO

Esses fornos oferecem aos operadores a flexibilidade do cozimento de combinação com o controle adicional da rotação do ventilador e da potência das micro-ondas.

O cozimento de combinação permite que resultados de alta qualidade sejam alcançados em uma fração do tempo levado pelo cozimento convencional, principalmente ao cozer, dourar, assar e grelhar pratos.

Depois de estabelecido, as instruções precisas para o cozimento de combinação ou por convecção dos itens selecionados podem ser programadas na memória do forno para que possam ser repetidas com facilidade e precisão. Até 1024 programas podem ser armazenados e simplesmente chamados novamente.

Programação em várias etapas

Os controles do forno oferecem ainda mais flexibilidade permitindo a programação em várias etapas. Isso permite que as condições exatas exigidas para resultados de qualidade sejam definidas de acordo com o tipo de alimento.

Um único programa de cozimento pode ter até 6 etapas, cada etapa controlada com seu próprio tempo, rotação do ventilador e configurações da potência das micro-ondas (dependendo do modelo).



PRECAUÇÕES PARA EVITAR POSSÍVEL EXPOSIÇÃO A EXCESSIVA ENERGIA DE MICRO-ONDAS

- a) Não tente operar este forno com a porta aberta, já que a operação com a porta aberta pode resultar em exposição prejudicial à energia de micro-ondas. É importante não desativar nem adulterar os intertravamentos de segurança.
- b) Não coloque nenhum objeto entre a face dianteira do forno e a porta nem permita que sujeira ou resíduos de limpadores se acumulem sobre as superfícies de vedação.
- c) Não opere o forno se estiver danificado. É particularmente importante que a porta do forno feche adequadamente e que não haja danos (1) na porta (torta) (2) nas dobradiças e travas (quebradas ou soltas) (3) nas vedações e superfícies de vedação da porta.
- d) O forno não deve ser ajustado nem reparado por ninguém, a não ser pelo pessoal de manutenção devidamente qualificado.

As instruções delineadas neste guia se destinam a garantir a segurança e a longa duração de seu forno Merrychef.

LEIA AS SEGUINTEs INSTRUÇÕES DE SEGURANÇA CUIDADOSAMENTE

INFORMAÇÕES IMPORTANTES LEIA ANTES DE USAR

Os usuários são advertidos de que a manutenção e os reparos devem ser realizados por um agente de manutenção autorizado da Merrychef usando as peças de reposição originais da Merrychef. A Merrychef não terá obrigação com relação a qualquer produto que tenha sido instalado, ajustado ou operado indevidamente ou que não tenha recebido manutenção de acordo com os códigos nacionais e locais ou com as instruções fornecidas com o produto, ou qualquer produto que tenha seu número de série desfigurado, apagado ou removido, ou que tenha sido modificado ou reparado por agentes de manutenção não autorizados. Para obter uma lista de agentes de manutenção autorizados, consulte o verso deste folheto. As informações contidas neste documento (incluindo as especificações de design e peças) podem ser substituídas e estarem sujeitas a alteração sem comunicação.

Este é somente um Guia Rápido de Introdução. Para obter mais informações, consulte as instruções pertinentes de instalação e operação disponíveis em www.merrychef.com

O mostrador, o layout e os ícones da tela easyToUCH mostrados aqui se destinam apenas a fins de orientação e não se destinam a ser uma representação exata dos fornecidos com o forno.

INTRODUÇÃO	50
SEGURANÇA E NORMAS	
INSTRUÇÕES IMPORTANTES DE SEGURANÇA	52
PRECAUÇÕES A SEREM OBSERVADAS	54
UTENSÍLIOS DE COZIMENTO ADEQUADOS	55
PRINCIPAIS RECURSOS	56
DETALHES DO PRODUTO	
ESPECIFICAÇÕES TÉCNICAS	58
Especificações	58
Número de Série (Placa de Especificações):	58
INSTALAÇÃO	59
LOCALIZAÇÃO E POSICIONAMENTO DO FORNO	59
FUNCIONAMENTO E CONTROLES	
GUIA RÁPIDO DE INTRODUÇÃO: MANUTENÇÃO RÁPIDA NO FORNO	60
INICIALIZAÇÃO	60
COMO USAR UM PROGRAMA DE COZIMENTO	61
GUIA OPERACIONAL: FORNO DE SERVIÇO COMPLETO	62
TELA DO MENU PRINCIPAL E DO TECLADO easyToUCH	62
PRESS & GO	63
COMO USAR UM PROGRAMA DO LIVRO DE RECEITAS	64
SCREEN SAVER	65
COMO ALTERAR A TEMPERATURA DO FORNO	65
LIMPEZA E MANUTENÇÃO	
RESFRIAMENTO DO FORNO ANTES DA LIMPEZA	66
Resfriamento do forno	66
Preparação para limpar o forno	66
INSTRUÇÕES DE LIMPEZA do forno frio e3	67
INSTRUÇÕES DE LIMPEZA do forno frio e4	68
INSTRUÇÕES DE LIMPEZA do forno frio e5	68
LOCALIZAÇÃO DE FALHA	
TABELA DE DETECÇÃO DE FALHAS	71

INSTRUÇÕES IMPORTANTES DE SEGURANÇA

Ao usar aparelhos elétricos, é necessário seguir precauções básicas de segurança, inclusive as seguintes:

AVISO Para reduzir o risco de queimaduras, choque elétrico, incêndio, lesões pessoais ou exposição a excessiva energia de micro-ondas:

1. Leia todas as instruções antes de usar o aparelho.
2. Leia e siga as 'PRECAUÇÕES PARA EVITAR POSSÍVEL EXPOSIÇÃO A EXCESSIVA ENERGIA DE MICRO-ONDAS' específicas, encontradas na página Introdução.
3. Este aparelho deve ser aterrado. Conecte somente a uma tomada devidamente aterrada. Consulte 'INSTALAÇÃO ELÉTRICA'.
4. Instale ou coloque este aparelho somente de acordo com as instruções de instalação fornecidas.
5. Alguns produtos, como ovos inteiros e recipientes selados (jarras fechadas, por exemplo), podem explodir e não devem ser aquecidos neste forno.
6. Use este aparelho somente para seu uso pretendido, conforme descrito no manual. Não use produtos químicos corrosivos ou vapores neste aparelho. Este tipo de forno é projetado especificamente para aquecer, cozinhar ou secar alimentos. Não foi projetado para uso industrial ou laboratorial.
7. Este aparelho não deve ser usado por crianças.
8. Não opere este aparelho se tiver um cabo ou conector danificado, se não estiver funcionando adequadamente ou se tiver sido danificado ou tiver sofrido uma queda.
9. Este aparelho deve receber manutenção apenas por pessoal de manutenção qualificado. Entre em contato com a assistência técnica autorizada mais próxima para exames, reparos ou ajustes.
- 10 Não cubra nem bloqueie nenhuma abertura no aparelho, incluindo os respiros/filtros de ar e a saída de vapor.

11 Não armazene este aparelho ao ar livre. Não use este produto perto de água, por exemplo, perto de uma pia de cozinha, em um porão úmido ou perto de uma piscina e similares.

12. Não mergulhe o cabo ou o conector na água.

13. Mantenha o cabo afastado de superfícies aquecidas.

14. Não deixe o cabo pendurado sobre a borda da mesa ou do balcão.

15. Ou:

i) Ao limpar superfícies da porta e do forno que vêm juntas no fechamento da porta, use somente sabões não abrasivos neutros ou detergentes aplicados com uma esponja ou pano macio.

ii) Quando são fornecidas instruções de limpeza em separado, consulte as instruções de limpeza da superfície da porta.

16. Para reduzir o risco de incêndio na cavidade:

i) Não cozinhe os alimentos demasiadamente. Vigie cuidadosamente o aparelho se for colocado papel, plástico ou outros materiais combustíveis no interior do forno para facilitar o cozimento.

ii) Remova os fechadores de fio trançado dos sacos de papel ou de plástico antes de colocá-los no forno

iii) Se os materiais no interior do forno entrarem em combustão, mantenha a porta do forno fechada, desligue-o e desconecte o cabo de alimentação, ou desligue a alimentação no painel de fusíveis ou de disjuntores.

iv) Não use a cavidade para fins de armazenamento. Não deixe produtos de papel, utensílios de cozimento ou alimentos na cavidade quando não estiver em uso.

17. Líquidos, como água, café ou chá, podem ficar superaquecidos, além do ponto de ebulição, sem que isso seja evidente. A formação de bolhas ou a ebulição nem sempre estão visíveis quando o recipiente é removido do forno micro-ondas. **ISSO PODE RESULTAR EM LÍQUIDOS MUITO QUENTES ENTRANDO EM EBULIÇÃO REPENTINAMENTE QUANDO O RECIPIENTE FOR MOVIMENTADO OU QUANDO UM UTENSÍLIO FOR INSERIDO NO LÍQUIDO.**
18. NÃO opere usando somente micro-ondas ou função de combinação sem alimentos ou líquidos no interior do forno, pois isso pode resultar em superaquecimento e causar danos.
19. NUNCA remova a parte externa do forno.
20. NUNCA remova nenhuma peça interna fixa do forno.
21. NUNCA adultere o painel de controle, a porta, as vedações ou qualquer outra parte do forno.
22. NÃO obstrua os respiros/filtros de ar nem a saída de vapor.
23. NUNCA pendure panos de prato ou toalhas sobre nenhuma parte do forno.
24. Se as vedações da porta estiverem danificadas, o forno deve ser reparado por um Agente de Manutenção aprovado.
25. Se o cabo de alimentação estiver danificado de algum modo, ele DEVE ser substituído por um Agente de Manutenção aprovado.
26. Ao lidar com líquidos, alimentos e recipientes quentes, é necessário tomar cuidado para evitar escaldaduras e queimaduras.
27. Ao aquecer os líquidos usando somente micro-ondas ou uma função de combinação, o conteúdo deve ser mexido antes do aquecimento para evitar a ebulição violenta.
28. As mamadeiras e os potes de alimentos infantis não devem ser aquecidos com este aparelho.

29. Nunca use o forno para aquecer álcool, por exemplo, Brandy, rum etc. Alimentos que contêm álcool podem pegar fogo mais facilmente se forem superaquecidos, tome cuidado e não deixe o forno sem supervisão.
30. Nunca tente fazer frituras em óleo no forno.
31. O aparelho não se destina ao uso por crianças ou pessoas enfermas sem supervisão.
32. As crianças devem ser supervisionadas para garantir que não brinquem com o aparelho.

GUARDE ESTAS INSTRUÇÕES

PRECAUÇÕES A SEREM OBSERVADAS

1. Leia este manual antes de usar seu forno.
2. Da mesma forma que todos os aparelhos elétricos, é prudente inspecionar todas as conexões elétricas no mínimo uma vez por ano.
3. O interior do forno e as vedações da porta devem ser limpos frequentemente, seguindo as instruções descritas na seção Limpeza. Deixar de fazer isso pode resultar em uma situação perigosa.
4. Desligue o forno no final de todas as sessões de cozimento desse dia.
5. O forno não deve ser usado para secar tecidos.
6. Como ocorre com qualquer aparelho de cozimento, é necessário tomar cuidado para evitar a combustão dos itens dentro do forno.
7. Os alimentos em recipientes combustíveis de plástico ou papel devem ser transferidos para recipientes à prova de micro-ondas/forno para evitar a possibilidade de ignição.

Se for percebida fumaça:

- Desligue
- Isole a alimentação elétrica
- Mantenha a porta fechada para extinguir eventuais chamas

8. Os itens devem ser desembalados ao usar as funções de convecção e combinação.
9. Os ovos nas cascas e ovos cozidos inteiros não devem ser aquecidos no forno, pois podem explodir.
10. Alimentos com pele, por exemplo, batatas, maçãs, salsichas etc., devem ser perfurados antes do aquecimento.
11. Os alimentos não devem ser aquecidos em um recipiente completamente selado já que o acúmulo de vapor pode fazê-lo explodir.
12. O excesso de gordura deve ser removido durante o 'assamento' e antes de levantar recipientes pesados do forno.
13. Em caso de quebra ou estilhaçamento de vidros dentro do forno, certifique-se de que os alimentos estejam totalmente livres de partículas de vidro. Se estiver em dúvida, descarte qualquer alimento que estava no forno no momento da quebra.
14. NÃO tente operar o forno com: objeto preso na porta, que não feche adequadamente, dobradiça, trava, superfície de vedação ou porta que esteja danificada, ou sem alimentos no forno.

UTENSÍLIOS DE COZIMENTO ADEQUADOS

As instruções do Fabricante devem ser verificadas para determinar a adequação dos recipientes individuais ou utensílios usando cada uma das funções de cozimento. A tabela a seguir fornece as diretrizes gerais:

Recipientes resistentes ao calor		
Vidro temperado Cerâmica vitrificada Cerâmica (porcelana/barro/chinesa etc.)	✓ ✓ ✓	Não use itens com decoração metálica.
Bandejas metálicas e de chapa		
Bandejas metálicas NÃO USE NENHUM OUTRO RECIPIENTE METÁLICO OU DE CHAPA	✓	As bandejas metálicas só podem ser usadas se colocadas sobre a PRATELEIRA DE VIDRO na cavidade do forno. Nota: Não cozinhe o alimento diretamente na cremalheira vítrea do esmalte.
Recipientes plásticos		
Recipientes plásticos de dupla utilidade que podem ir ao forno	✓	(até determinadas temperaturas) já estão disponíveis. Consulte as instruções do fabricante antes de usar.
Descartáveis		
NAO USE Combustíveis (papel/papelão etc.)	✗	
Outros utensílios		
Etiquetas amarradas Talheres Sondas de temperatura	✗ ✗ ✗	Nenhum utensílio de cozinha deve ser deixado no alimento enquanto ele estiver cozinhando no forno.

PRINCIPAIS RECURSOS

1 INTERRUPTOR LIGA/DESLIGA

Quando ligada, a tela easyToUCH ilumina os controles do forno. Observação: desligar esse interruptor não isola o forno da alimentação elétrica.

2 PAINEL DE CONTROLE DA TELA easyToUCH

Consulte os detalhes em 'OPERAÇÃO E CONTROLES'.

3 PLACA DE CLASSIFICAÇÃO

Localizada no painel traseiro do forno, informa o número de série, tipo do modelo e especificações elétricas.

4 MenuConnect™

Uma porta USB localizada sob a logomarca da Merrychef que permite alterações em programas armazenados no forno (Veja USB MenuConnect™ Manual do Usuário, e Operação e controles seção deste manual, para obter detalhes de programas de atualização forno).

5 SAÍDAS DE AR

O ar usado para resfriar os componentes internos e o vapor da cavidade saem através dos respiros de saída de ar localizados na parte traseira do forno e do painel lateral do modelo e5. As saídas de ar devem ser mantidas livres de obstruções e não permitirão que a energia de micro-ondas escape para o ambiente.

6 FILTRO DE ENTRADA DE AR

O filtro de ar localizado na parte inferior traseira do forno é parte do sistema de ventilação e deve ser mantido livre de obstrução e ser limpo diariamente, conforme descrito em 'Limpeza e manutenção'. Observe que o forno não funcionará sem o filtro de ar instalado.

7 MAÇANETA DA PORTA

É uma barra rígida que é puxada para baixo e no sentido contrário do forno para abrir.

8 PORTA DO FORNO

É uma barreira de energia construída com precisão com três intertravamentos de segurança para micro-ondas. A porta deve ser mantida limpa (consulte 'LIMPEZA') e NÃO deve ser usada para apoiar objetos pesados.

9 VEDAÇÕES DA PORTA

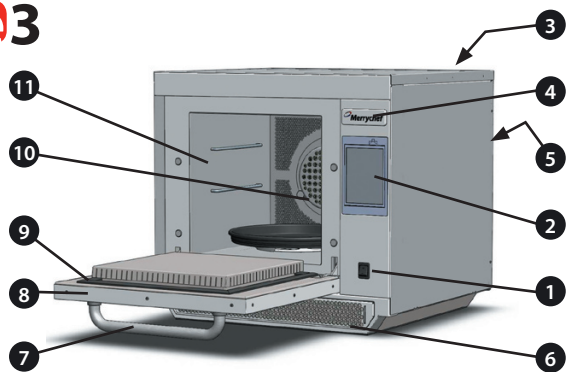
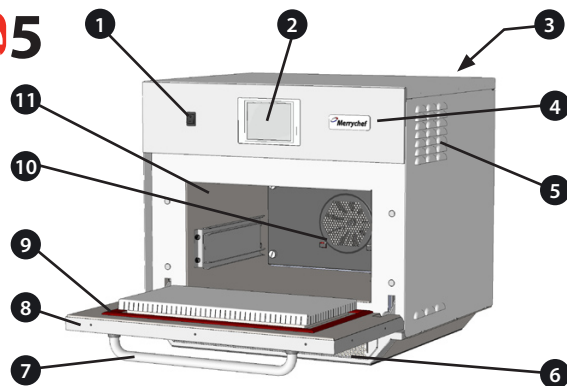
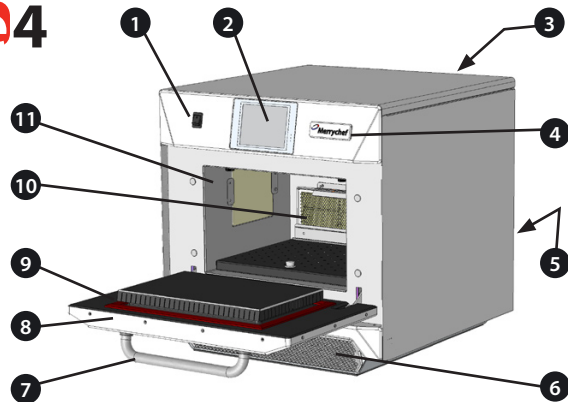
Garantem uma vedação estanque ao redor da porta. Devem ser mantidas limpas e verificadas regularmente em busca de sinais de danos. Ao primeiro sinal de desgaste, devem ser substituídas por um Agente de Manutenção aprovado pela Merrychef.

10 VENTILADOR DE CONVECÇÃO, FILTRO DE GORDURA E CONVERSOR CATALÍTICO (dependente do modelo)

A grade metálica do filtro de gordura que cobre o ventilador de convecção deve ser mantida limpa e livre de detritos. É necessário tomar cuidado ao limpar essa área do forno, observando-se os diferentes requisitos do forno mostrados em 'Limpeza e manutenção', neste manual.

11 CAVIDADE DO FORNO

A cavidade do forno é construída em aço inoxidável e deve ser mantida limpa, seguindo-se as instruções de limpeza contidas na seção 'Limpeza e manutenção' deste manual.

e3**e5****e4**

ESPECIFICAÇÕES TÉCNICAS

Especificações

Descrição	unidade	e3	e4	e5
Controles da tela sensível ao toque	programas	1024	1024	1024
Temperatura operacional ambiente	°C / °F	<40/104	<40/104	<40/104
AxLxP externas	mm	551x598x622	591x584x750	642x711x705
AxLxP externas	polegadas	21.7x23.5x24.5	23.3x23.0x29.5	25.3x28.0x27.8
AxLxP internas	mm	319x332x325	218x375x312	258.4x495x363.5
AxLxP internas	polegadas	12.6x13.1x12.8	8.6x14.8x12.3	10.17x19.49x14.31
Câmara de cozedura	L (cu.pol.)	34.4 (2113)	25.5 (1566)	44.4 (2730)
Microondas da saída de potência	Watts	700/1000	1500	1400
Convecção da saída de potência	kW	3 (3/1.5 EE)	3.2	3.2
Suprimento de energia 50 Hz	V	230	230	230
Suprimento de energia 60 Hz	V	208 & 240 / 220	208 & 240 / 220	208 & 240 / 220
Suprimento de energia	kW	3(EE) 4.3(XE) 4.7(XX)	7.0	6.2
Peso líquido do forno sem embalagem	Kg (lb)	62.5 (138)	82.5 (182)	94.0 (207)
Nível de pressão sonora	dB(A)	<70	<70	<70
Empilhamento (com kit)	forno	0	1	0

Número de Série (Placa de Especificações):

Número de série: MM AA LOCAL NO. SÉRIE por exemplo, 10 06 2130 12345 (1006213012345)

Forno fabricado em junho de 2010 em Sheffield (Reino Unido), número de produção 12345.

Número do modelo: MODELO CONVECÇÃO MICRO-ONDAS TENSÃO HERTZ CONDUTOR PLUGUE COMUNICAÇÃO VERSÃO CLIENTE/ ACESSÓRIO PAÍS por exemplo, e4C 5 V MV 6 D F U 1 GM US (e4CSVMV6DFU1GMUS)

modelo e4C, 3200 W, 1500 W, 208 V, 60 Hz, 2P+GND (30 A), plugue NEMA 6-30P, moldado, USB, 1, General Market, EUA.

INSTALAÇÃO

LOCALIZAÇÃO E POSICIONAMENTO DO FORNO

Escolha um local afastado de grandes fontes de calor.

NÃO posicione de modo que o ar quente seja sugado de fritadeiras, grelhas, frigideiras, etc.

Uma barreira de calor da altura do forno deve ser instalada se estiver colocado perto de um queimador, forno ou fogão.

Coloque o forno sobre uma superfície plana permanente antiderrapante e não inflamável que esteja NIVELADO, ESTÁVEL e FORTE o suficiente para o forno e seu conteúdo.

Deixe uma folga mínima (A) de 2 pol. (50 mm) ao redor do forno para que o ar quente escape.

Deixe uma folga suficiente (B) na frente do forno para abrir a porta completamente.

Posicione o forno (modelos e4 & e5 somente) pelo menos 36 polegadas (916mm) de (c) acima do assoalho.

A entrada de ar está localizada na parte inferior dianteira do forno (1) e é importante que o fluxo de ar seja o mais frio possível e não preaquecido por outros aparelhos, como queimadores, fornos, fogões, fritadeiras, grelhas e frigideiras, já que isso deteriorará a vida útil e o desempenho do forno.

Não cole etiquetas/adesivos no forno diferentes dos aplicados ou aprovados pelo fabricante.



O forno não funcionará sem o FILTRO DE AR instalado corretamente em seu lugar.

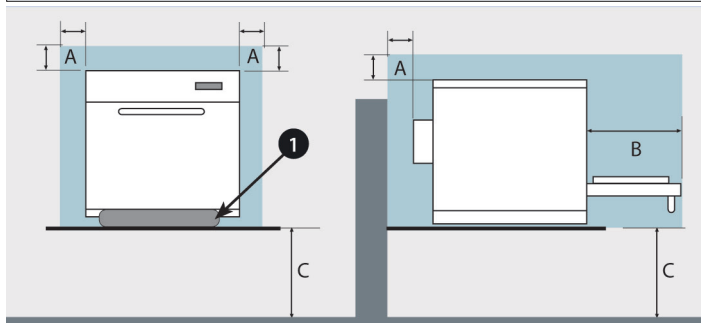


PERIGO!

ESTE APARELHO DEVE SER ATERRADO. A FALHA EM FAZER ISSO PODE RESULTAR EM CHOQUE ELÉTRICO E MORTE.

O forno deve estar conectado a uma tomada devidamente instalada e aterrada. Se estiver em dúvida, consulte um electricista qualificado.

Refira por favor o Web site www.merrychef.com de Merrychef para detalhes elétricos completos da instalação. Se você tiver o acesso ou exigir um esclarecimento mais adicional, contacte por favor um agente do serviço.



MANUSEIO E ARMAZENAGEM:

Ao movimentar um forno, sempre observe e siga as exigências nacionais e locais quanto à elevação e movimentação de objetos pesados. Não use a maçaneta da porta do forno para elevá-lo.

Quando não estiver em uso, desconecte o forno eletricamente e armazene-o com segurança em um local seco e fresco, sem empilhar os fornos.

GUIA RÁPIDO DE INTRODUÇÃO: MANUTENÇÃO RÁPIDA NO FORNO

INICIALIZAÇÃO

1. Ligue o forno.

Faça todas as verificações de segurança relevantes e certifique-se de que o forno está limpo e vazio antes de pressionar o interruptor do forno para ativá-lo.

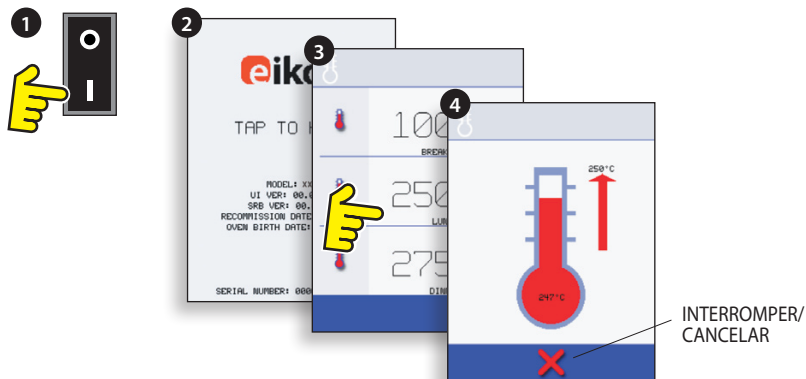
2. A tela easyToUCH se ilumina com o mostrador exibindo rapidamente o número de série e os dados do forno. Toque levemente na tela uma vez para congelar o mostrador, toque novamente para continuar.

3. Quando o forno estiver configurado com duas ou mais temperaturas de preaquecimento, uma opção é exibida.

As setas de rolagem na parte inferior da tela indicam que há mais opções de temperatura não mostradas na tela. Se necessário, use as setas de rolagem, em seguida selecione a temperatura necessária para iniciar o preaquecimento do forno.

4. Durante o preaquecimento, o mostrador exibe o andamento à medida que o forno se aquece até a temperatura configurada (para interromper o aquecimento do forno, toque no símbolo 'X' vermelho).

5. O forno está pronto para usar quando o 'LIVRO DE RECETAS' é exibido.



5 MOSTRADOR DO LIVRO DE RECEITAS

VÁRIOS IDIOMAS INSTALADOS

EXIBE TODOS OS PROGRAMAS DE COZIMENTO (Opcional)

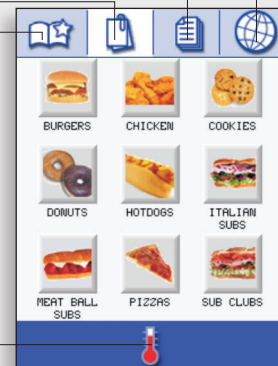
MOSTRA OS GRUPOS DE PROGRAMAS

FAVORITOS (Opcional)

GRUPO DE PROGRAMAS

Cada grupo contém uma coleção de programas de cozimento.

ALTERE A TEMPERATURA DO FORNO (Opcional)



COMO USAR UM PROGRAMA DE COZIMENTO



Tomando todas as precauções necessárias para garantir que não se queime, abra a porta do forno para colocar o alimento no interior do forno quente e feche a porta.

1. Selecione um grupo de programas, por exemplo, 'BURGER' para exibir os programas de cozimento individuais.

2. Selecione um programa de cozimento para começar, por exemplo, 2 BURGERS.

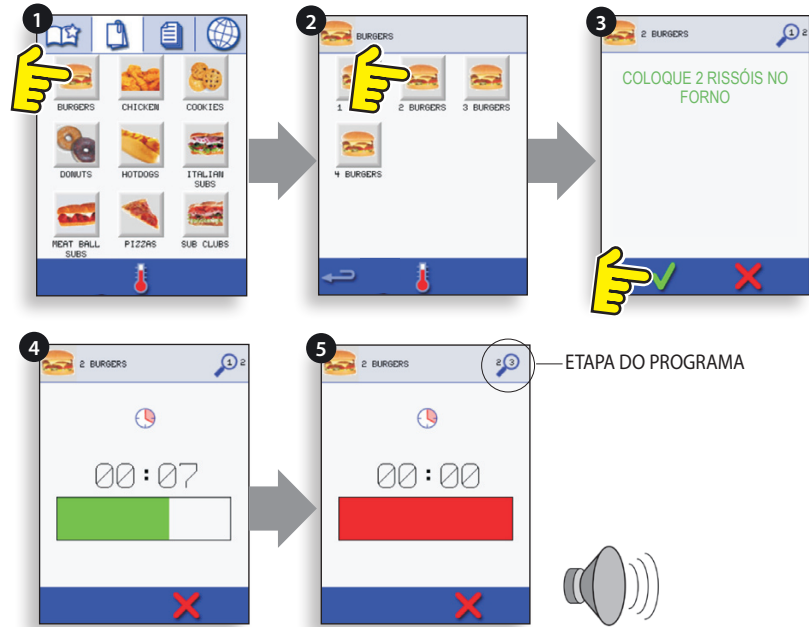
3. Siga as instruções se forem exibidas na tela.

4. Toque na marca verde para cozinhar.

O tempo de cozimento ocorre em contagem regressiva para cada etapa do programa.

5. Quando o programa terminar, uma barra vermelha será exibida, normalmente com um som audível. Abra a porta ou toque no 'X' vermelho para voltar ao programa de cozimento.

Observação: a abertura da porta do forno durante o cozimento interrompe o programa de cozimento e exibe um aviso. Fechar a porta sempre permite que o usuário continue ou cancele o programa de cozimento.



GUIA OPERACIONAL: FORNO DE SERVIÇO COMPLETO

TELA DO MENU PRINCIPAL E DO TECLADO easyToUCH

TELA DO MENU PRINCIPAL:

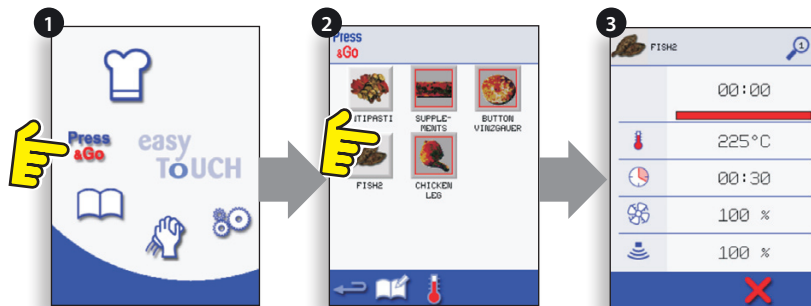
1. O MODO DE DESENVOLVIMENTO permite que programas de cozimento de várias etapas sejam desenvolvidos, em seguida armazenados com um nome e um símbolo para reutilização.
2. PRESS & GO permite o rápido acesso ao uso dos programas de cozimento que já estão armazenados.
3. O LIVRO DE RECEITAS contém os programas de cozimento do forno. Ele exibe os Favoritos, os Grupos de programas de cozimento e uma relação completa de todos os programas de cozimento disponíveis.
4. LIMPIEZA/MUDANÇA DE TEMPERATURA permite que a temperatura do forno seja alterada e o forno seja preparado para limpeza com lembretes exibidos para auxiliar durante o processo de limpeza.
5. CONFIGURAÇÕES são usadas para controlar as configurações e funções do forno, inclusive a hora e o idioma, o carregamento de programas de cozimento e para fins de serviço e manutenção.
6. TELA DO TECLADO é usada para digitar uma senha autorizada a inserir dados referentes a programas e pode restringir o acesso do operador a algumas funções.



PRESS & GO

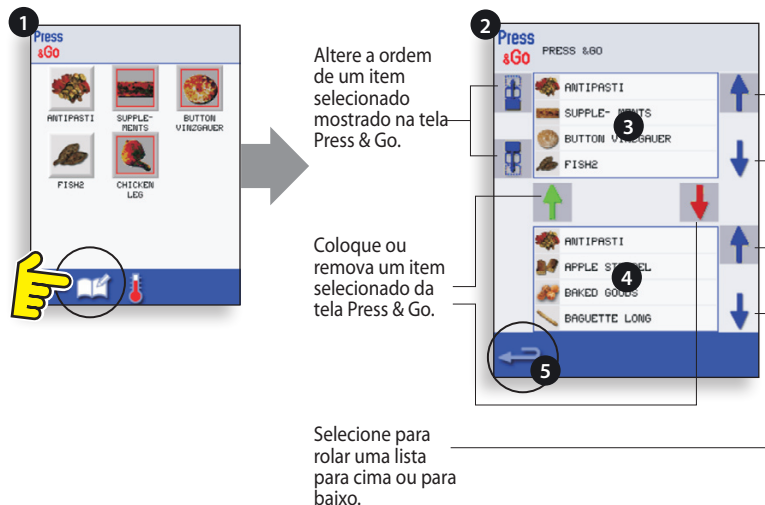
Execução de um programa de cozimento a partir do menu Press & Go.

1. Selecione 'PRESS & GO' na tela do menu principal.
2. Selecione o item que deseja cozinhar.
3. O mostrador exibe a temperatura, o tempo de cozimento, a potência de micro-ondas e a rotação do ventilador enquanto o temporizador faz a contagem regressiva. A barra do temporizador fica vermelha para indicar que o ciclo de cozimento terminou.



Escolher quais programas de cozimento são mostrados na tela do menu 'PRESS & GO'.

1. Depois de selecionar 'PRESS & GO' na tela do menu principal, selecione o símbolo EDITAR.
2. Duas listas são exibidas, em seguida os itens de menu 'PRESS & GO' são mostrados na lista superior e a lista inferior mostra outros itens de menu que estão disponíveis. Ambas as listas podem ser roladas para cima ou para baixo usando as setas na extrema direita.
3. Selecione um item, em seguida escolha entre alterar sua ordem dentro do menu ou removê-lo para a lista inferior.
4. Selecione um item para mover para a lista superior, tornando-o disponível no menu 'PRESS & GO'.
5. Selecione backspace para voltar à tela do menu ao concluir.



COMO USAR UM PROGRAMA DO LIVRO DE



AVISO: CERTIFIQUE-SE DE HAVER PRODUTO ALIMENTÍCIO NO FORNO ANTES DE INICIAR UM PROGRAMA DE COZIMENTO.

RECEITAS

Para encontrar o Programa desejado no livro de receitas.

1. Selecione 'LIVRO DE RECEITAS' na tela do menu principal.
2. Selecione o símbolo TODOS OS MENUS.
3. Use as setas de rolagem para cima/para baixo para encontrar o programa.

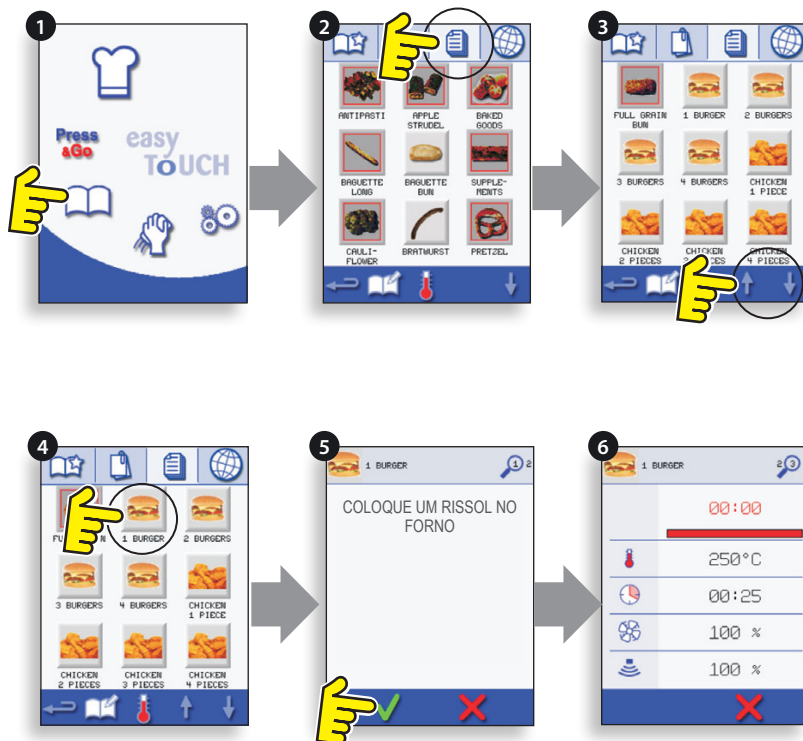
OBS.: se uma imagem tiver uma linha vermelha ao redor dela, a temperatura do forno está ajustada para um valor muito alto ou muito baixo para essa receita. Consulte 'COMO ALTERAR A TEMPERATURA DO FORNO'.

Tomando todas as precauções necessárias para garantir que não se queime, coloque o alimento no interior do forno quente e feche a porta.



AVISO: RISCO DE SUPERFÍCIE QUENTE

4. Selecione o programa de cozimento desejado para começar a cozinhar. Por exemplo, '1 BURGER'.
5. O programa inicia imediatamente exibindo um temporizador em contagem regressiva ou é exibida uma instrução primeiro. Siga as instruções da etapa, em seguida selecione OK para começar



o cozimento. Se a porta do forno não for aberta dentro de 30 segundos, uma mensagem de advertência é exibida.

6. O temporizador de cozimento faz uma contagem regressiva até zero e emite um som para indicar que uma ação do operador é necessária no final de uma etapa de cozimento ou no fim de um programa de cozimento.

Quando o programa de cozimento tiver terminado, a abertura da porta do forno para remover o alimento faz com que o mostrador volte para a tela do 'LIVRO DE RECEITAS'.

Observação: a abertura da porta do forno durante o cozimento interrompe o programa de cozimento e exibe um aviso. Fechar a porta sempre permite que o usuário continue ou cancele o programa de cozimento.

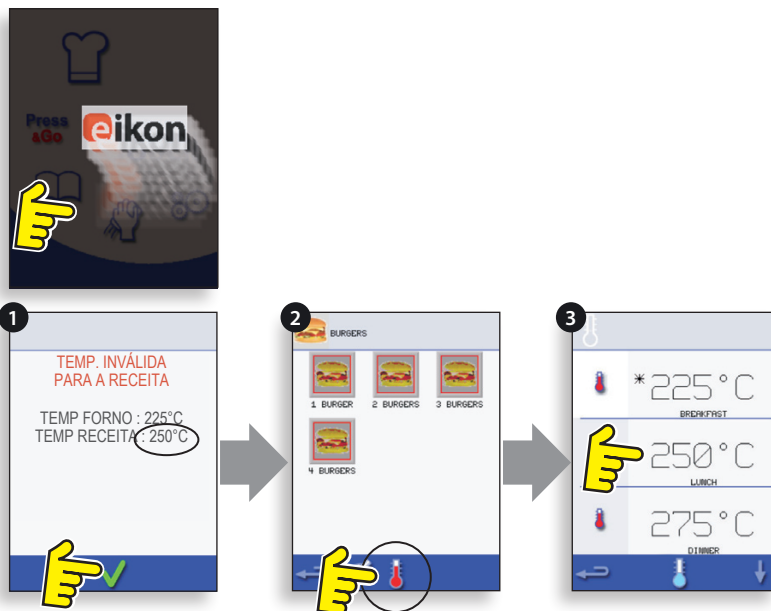
Para verificar a temperatura do forno ao cozinhar, toque levemente na temperatura exibida e a temperatura da cavidade do forno é exibida com um asterisco.

ÉCRAN

Un économiseur d'écran actif masque l'écran affichant une image en mouvement. Pour utiliser l'écran tactile, touchez l'écran pour désactiver l'économiseur d'écran.

COMO ALTERAR A TEMPERATURA DO FORNO

1. Anote a temperatura necessária para a receita e selecione OK.
2. Selecione o símbolo de temperatura.
3. Um asterisco ao lado do número indica a temperatura atual do forno, selecione a temperatura do forno exigida para a receita. Depois que o forno estiver na temperatura exigida, continue a seleção do 'LIVRO DE RECEITAS' na etapa 1.

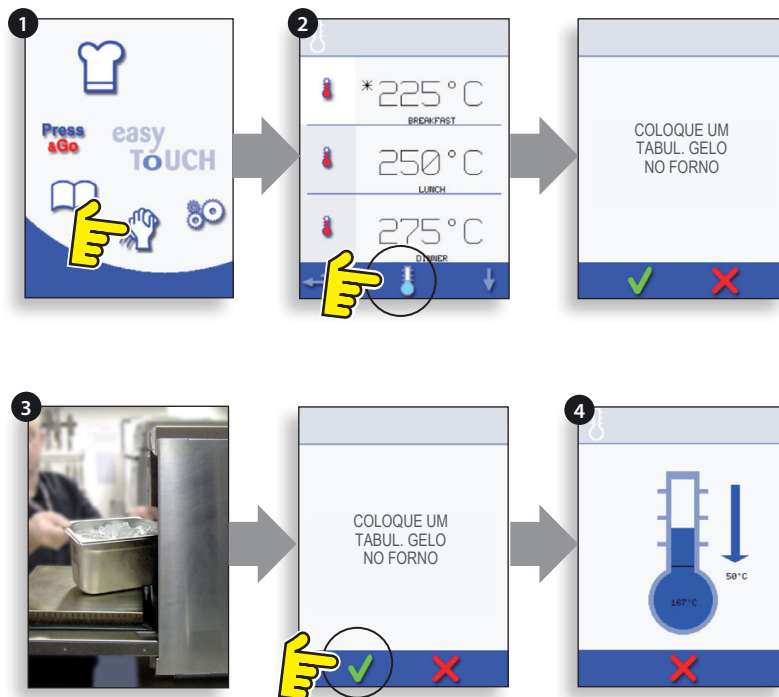


RESFRIAMENTO DO FORNO ANTES DA LIMPEZA

Resfriamento do forno

IMPORTANTE: o forno deve ser resfriado antes que os processos de limpeza sejam executados.

1. No modo Refeição completa, selecione o símbolo LIMPIEZA no menu principal.
2. No modo Refeição completa ou no modo Refeição rápida, selecione o símbolo de termômetro azul para desativar o aquecimento e iniciar o ciclo de resfriamento.
3. Tomando todas as precauções necessárias, coloque um recipiente adequado cheio de gelo no interior da cavidade do forno quente. Selecione o símbolo OK para continuar.
4. O andamento do resfriamento é exibido e leva aproximadamente 30 minutos.
5. Agora o forno está pronto para limpeza. Selecione OK na tela depois de concluir cada estágio.



Preparação para limpar o forno

Para que o forno funcione na máxima eficiência, a cavidade, a porta, o filtro de ar e o filtro de graxa devem ser mantidos limpos.

Uma rotina de limpeza diária irá garantir que você obedeça aos padrões de higiene exigidos e ajudará a manter e prolongar a eficiência de seu forno.

Equipamento necessário (não fornecido):

O limpador de fornos não cáustico de marca patenteada, as luvas à prova de calor, as luvas protetoras de borracha, esponja de nylon não abrasiva, toalha e panos de limpeza, proteção ocular e máscara antipó (opcional).

CUIDADO: USE LUVAS PROTETORAS DE BORRACHA AO LIMPAR O FORNO.

NUNCA use instrumentos afiados ou abrasivos fortes sobre nenhuma parte do forno.



AVISO: NÃO USE LIMPADORES CÁUSTICOS EM NENHUMA PARTE DO FORNO OU CAVIDADE ABERTA JÁ QUE ISSO CAUSARÁ DANOS PERMANENTES NOS CONVERSORES CATALÍTICOS.

Conclua o procedimento de RESFRIAMENTO e deixe o forno e os acessórios esfriarem antes de começar a limpeza.



NÃO USE FERRAMENTAS

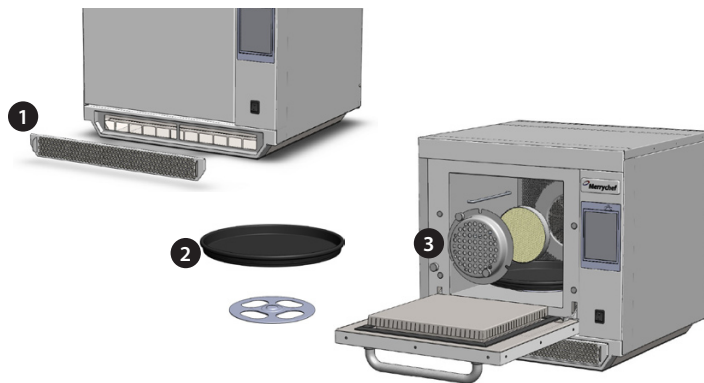
e3 INSTRUÇÕES DE LIMPEZA do forno frio e3

REMOVA E LIMPE as peças do forno:

1. Remova o filtro de ar na base do forno.
2. Abra a porta do forno e levante a plataforma giratória.
3. Para fornos com um conversor catalítico, abra a porta do forno e solte os fixadores para remover o conversor catalítico quando necessário ou uma vez por mês.

Lave todas as peças em solução morna de água e sabão. Lave usando um pano limpo e embebido em água morna e limpa.

Seque usando um pano limpo e novo.



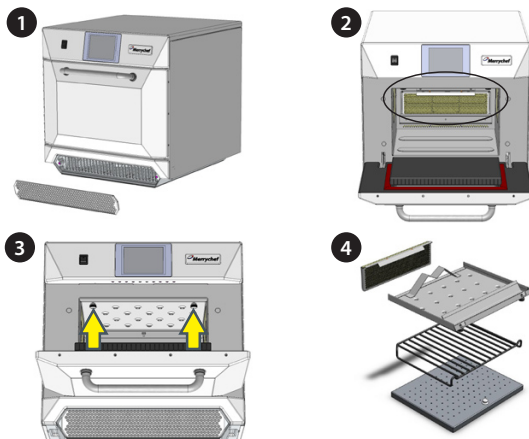
e4 INSTRUÇÕES DE LIMPEZA do forno frio e4

REMOVA E LIMPE as peças do forno:

1. Remova o filtro de ar na base do forno.
2. Abra a porta do forno, remova a prateleira, empurre a alça do filtro de graxa para baixo e levante.
3. Solte os fixadores prendendo a chapa de impacto superior.
4. Remova a chapa de impacto superior e levante a chapa de impacto inferior.

Lave todas as peças em solução morna de água e sabão. Lave usando um pano limpo e embebido em água morna e limpa.

Seque usando um pano limpo e novo.



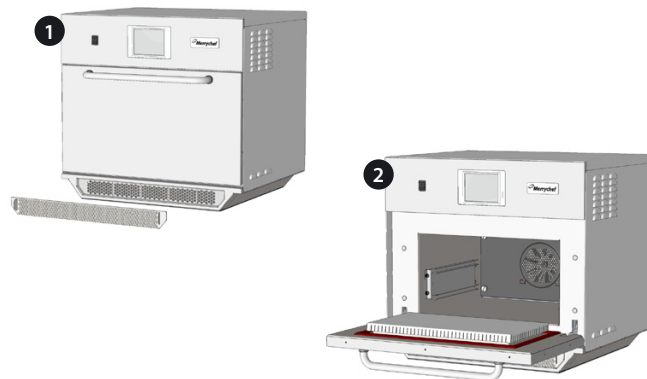
e5 INSTRUÇÕES DE LIMPEZA do forno frio e5

REMOVA E LIMPE as peças do forno:

1. Remova o filtro de ar na base do forno.
2. Abra a porta do forno para remover quaisquer bandejas/prateleiras de cozimento.

Lave todas as peças em solução morna de água e sabão. Lave usando um pano limpo e embebido em água morna e limpa.

Seque usando um pano limpo e novo.



LIMPE O FORNO:

1. Remova quaisquer respingos com toalhas de papel descartáveis. Use uma escova limpa e seca para remover quaisquer partículas de alimentos que estejam entre o piso do forno e o interior da porta dianteira.
2. Use luvas protetoras de borracha e óculos de proteção, pulverize cuidadosamente um Limpa-fornos de marca patenteadada não cáustico sobre todas as superfícies internas do forno, exceto na vedação da porta (A).

NÃO pulverize diretamente dentro da abertura do ventilador na parte traseira interna do forno.

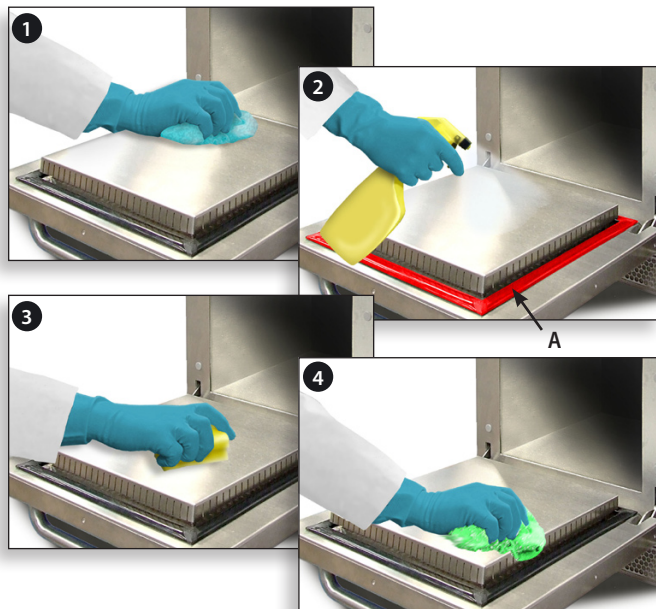
3. Para áreas difíceis, deixe embeber durante 10 minutos com a porta do forno aberta.

Use uma esponja de nylon não abrasiva para limpar a cavidade, o teto e a parte interna da porta. Não esfregue a vedação da porta nem use esfregadores metálicos.

4. Lave usando um pano limpo e embebido em água morna limpa e seque usando um pano limpo novo ou toalha de papel.

Coloque todas as peças limpas do forno novamente.

Feche a porta do forno e limpe a parte externa do forno com um pano úmido.



NÃO USE O FORNO SEM UM FILTRO DE AR LIMPO COLOCADO.

APLIQUE O PROTETOR DO FORNO:

1. Aplique somente em um forno limpo. Pulverize protetor de forno de marca patenteadada em uma esponja.
2. Espalhe o protetor de forno levemente sobre todas as superfícies internas do forno.
3. Espalhe o protetor de forno levemente sobre a superfície interna da porta do forno, evitando a vedação da porta.

Ligue o forno e preaqueça. Quando o forno tiver alcançado a temperatura operacional, levará cerca de 30 min para curar o protetor de forno.

Observação: o protetor de forno fica marrom claro depois de curado.

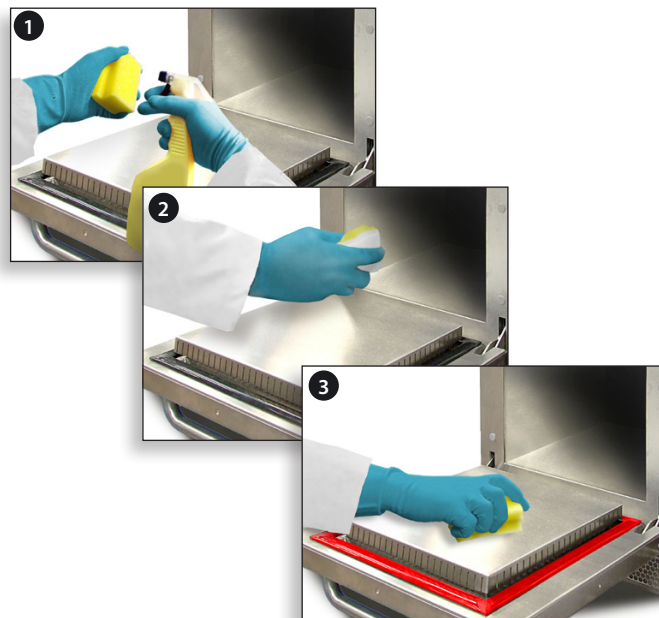


TABELA DE DETECÇÃO DE FALHAS

Embora seja feito todo esforço para garantir que seu forno continuará a funcionar de acordo com um alto padrão, consulte a tabela para verificar se o problema pode ser facilmente resolvido antes de entrar em contato com seu agente de manutenção.

PROBLEMA	POSSÍVEL CAUSA	SOLUÇÃO
O forno não funciona e a tela do mostrador está em branco	O forno não tem alimentação	Verifique se a energia não está cortada. Verifique se o interruptor isolador está LIGADO ou se o forno está conectado corretamente. Verifique se o interruptor do forno está LIGADO.
Alguns controles da tela não funcionam	Acesso não autorizado	Entre em contato com o usuário autorizado.
A exposição mostra uma mensagem de advertência	Os detalhes são mostrados na tela	Siga as instruções indicadas.
O forno não cozinha o alimento corretamente	O forno não está limpo O alimento não está na temperatura correta Programa modificado ou incorreto selecionado Alimento embalado Alimento removido antes do tempo	Limpe o forno (consulte limpeza). Use o programa de cozimento correto. Desembale o alimento para o cozimento sem micro-ondas. Verifique se todas as etapas de cozimento foram seguidas corretamente.
O forno não termina o cozimento	Porta do forno aberta Filtro de ar ausente ou instalado incorretamente Superaquecimento do forno	Feche a porta do forno. Reinstale o filtro de ar. Deixe o forno esfriar. Verifique e remova eventuais obstruções ao redor dos respiros de ar.
O mostrador mostra um código de erro	Mau funcionamento do forno	Anote o código de erro e entre em contato com seu Agente de Manutenção.



Merrychef USA

1111 North Hadley RD

Fort Wayne

IN 46804 EUA

Telefone: +1 877/404 - 6872

Fax: +1 800/285 - 9511

e-mail: info@merrychefusa.com

www.merrychefusa.com



A Merrychef reserva para si o direito de alterar as especificações do produto sem notificação e não se responsabiliza por nenhuma imprecisão, erro ou omissão contida neste documento.

PRESENTACIÓN

Estos hornos ofrecen a sus usuarios la flexibilidad de la cocción combinada con control adicional sobre la velocidad del ventilador y la potencia de las microondas.

Esta cocción combinada brinda resultados de primera calidad en una fracción de tiempo de un horno convencional, especialmente para hornear, dorar, asar y gratinar.

Una vez instalado, se pueden programar instrucciones precisas de cocción combinada o convección de los elementos seleccionados en la memoria del horno, para que se puedan repetir en forma fácil y exacta. Se pueden almacenar y utilizar en forma simple hasta 1024 programas.

Programación de múltiples etapas

Los controles del horno ofrecen una gran flexibilidad mediante su programación de múltiples etapas. Esto permite crear las condiciones exactas para obtener resultados de calidad según el tipo de alimento.

Un solo programa de cocción puede tener hasta 6 etapas, cada etapa se controla a su propio tiempo, velocidad de ventilador y potencia de microondas (según el modelo).



PRECAUCIONES PARA EVITAR POSIBLES EXPOSICIONES A LA ENERGÍA DE MICROONDAS EXCESIVA

- a) No intente usar este horno con la puerta abierta, ya que, de este modo, se podría producir una exposición dañina a la energía de microondas. Es importante no forzar ni desactivar los bloqueos de seguridad.
- b) No coloque objetos entre el frente del horno y la puerta ni permita que la tierra o los residuos de limpiadores se acumulen en las superficies de cierre.
- c) No use el horno si está dañado. Es muy importante que la puerta del horno se cierre correctamente y que no haya daños en la (1) puerta (deformaciones), (2) bisagras y cierres (rotas o sueltas), (3) cierres de puertas y superficies de cierre.
- d) Sólo personal de servicio calificado puede ajustar o reparar el horno.

Las instrucciones descritas en esta guía tienen la finalidad de brindar seguridad y una larga vida útil para su horno Merrychef.

LEA ATENTAMENTE LAS SIGUIENTES INSTRUCCIONES DE SEGURIDAD.

INFORMACIÓN IMPORTANTE PARA LEER ANTES DEL USO

Se les advierte a los usuarios que un agente autorizado Merrychef debe realizar el mantenimiento y las reparaciones, utilizando piezas de repuesto originales Merrychef. Merrychef no tendrá obligación alguna con respecto a los productos que se hayan instalado, ajustado o utilizado en forma inadecuada o a los que no se les haya hecho el mantenimiento según los códigos nacionales y locales o las instrucciones de instalación provistas con los productos; ni por productos que tengan su número de serie alterado, borrado u eliminado; o si se han modificado o reparado mediante el uso de piezas no autorizadas o que agentes no autorizados hayan realizado dichas acciones. Para obtener una lista de agentes autorizados, consulte la contraportada de este folleto. La información contenida en el presente folleto (incluso el diseño y las especificaciones de las piezas) se puede reemplazar o modificar sin previo aviso.

Esta es una Guía de inicio rápido únicamente. Para obtener más información, consulte las instrucciones de instalación y uso pertinentes que están disponibles en www.merrychef.com.

La visualización, el diseño y los íconos que se muestran en la pantalla easyTOUCH sólo sirven como guía y no son una representación exacta de los que se suministran con el horno.

PRESENTACIÓN	74
SEGURIDAD Y NORMAS	
INSTRUCCIONES DE SEGURIDAD IMPORTANTES	76
PRECAUCIONES A TENER EN CUENTA	78
UTENSILIOS DE COCINA APROPIADOS	79
CARACTERÍSTICAS PRINCIPALES	80
INFORMACIÓN DEL PRODUCTO	
ESPECIFICACIONES TÉCNICAS	82
Especificaciones	82
Número de serie (Placa de datos de servicio):	82
INSTALACIÓN	83
UBICACIÓN Y POSICIÓN DEL HORNO	83
FUNCIONAMIENTO Y CONTROLES	
GUÍA DE INICIO RÁPIDO: HORNO DE SERVICIO RÁPIDO	84
INICIO	84
USO DE UN PROGRAMA DE COCCIÓN	85
GUÍA DE USO: HORNO DE SERVICIO COMPLETO	86
MENÚ PRINCIPAL Y TECLADO easyTOUCH	86
PRESS & GO	87
USO DE UN PROGRAMA DEL LIBRO DE COCINO	88
SCREEN SAVER	89
CAMBIO DE LA TEMPERATURA DEL HORNO	89
LIMPIEZA Y MANTENIMIENTO	
ENFRIAMIENTO DEL HORNO ANTES DE LA LIMPIEZA	90
Enfriamiento del horno	90
Preparación para limpiar el horno	90
INSTRUCCIONES DE LIMPIEZA del horno frío e3	91
INSTRUCCIONES DE LIMPIEZA del horno frío e4	92
INSTRUCCIONES DE LIMPIEZA del horno frío e5	92
DETECCIÓN DE FALLAS	
GRÁFICO DE DETECCIÓN DE FALLAS	95

INSTRUCCIONES DE SEGURIDAD IMPORTANTES

Cuando use aparatos eléctricos, debe seguir las precauciones básicas de seguridad, incluso las siguientes:

ADVERTENCIA Para reducir el riesgo de quemaduras, descargas eléctricas, incendio, daños a terceros o exposición excesiva a energía de microondas:

1. Lea todas las instrucciones antes de usar el aparato.
2. Lea y siga las “PRECAUCIONES PARA EVITAR UNA POSIBLE EXPOSICIÓN A LA ENERGÍA DE MICROONDAS EXCESIVA” que se encuentran en la página de presentación.
3. Este aparato debe estar conectado a tierra. Conectar únicamente a una toma con una conexión a tierra adecuada. Vea “INSTALACIÓN ELÉCTRICA”.
4. Instale y coloque este aparato según las instrucciones de instalación provistas.
5. Algunos productos tales como huevos enteros y recipientes sellados (por ejemplo, tarros cerrados) pueden explotar y no se deben calentar en este horno.
6. Use este aparato únicamente para el uso indicado, según se describe en este manual. No use productos químicos o vapores corrosivos en este aparato. Este tipo de horno está diseñado específicamente para calentar, cocinar o secar alimentos. No está diseñado para uso industrial o de laboratorio.
7. Los niños no deben usar este aparato.
8. No lo use si tiene un cable o enchufe dañado, si no funciona correctamente o si ha sufrido daños o caídas.
9. Sólo personal de servicio calificado debe reparar este aparato. Contáctese con el servicio autorizado más cercano para revisarlo, repararlo o ajustarlo.
10. No cubra ni bloquee las aberturas del horno, ni la ventilación, los filtros de aire o la salida de vapor.

11. No deje este horno al aire libre. No lo use cerca del agua, por ejemplo, cerca de un fregadero, sótano húmedo, piscina o lugares similares.

12. No sumerja el cable o el enchufe en el agua.

13. Mantenga el cable alejado de superficies calientes.

14. No deje que el cable cuelgue del borde de la mesa o mostrador.

15. Tiene dos opciones:

i) Cuando limpie las superficies de la puerta y del horno que son para el cierre, use sólo jabones suaves no abrasivos, o detergentes aplicados con una esponja o tela suave.

ii) Si se brindan instrucciones de limpieza separadas, lea las instrucciones para la superficie de la puerta.

16. Para reducir el riesgo de incendio en la cavidad:

i) No cocine la comida demasiado. Preste atención al horno si se coloca papel, plástico u otros materiales combustibles para facilitar la cocción.

ii) Retire las sujeciones de las bolsas de plástico o papel antes de colocarlas en el horno.

iii) Si se incendian los materiales dentro del horno, mantenga la puerta cerrada, apague el horno y desconéctelo de la corriente o corte la energía del fusible o del tablero de disyuntores.

iv) No lo use para almacenaje. No deje productos de papel, utensilios de cocina o alimentos en el horno cuando no lo use.

17. Los líquidos, como el agua, el café o el té se pueden sobrecalentar por encima del punto de ebullición sin dejar evidencias. No siempre se observan burbujas o ebullición cuando se retira el recipiente del horno de microondas.

ESTO PUEDE CAUSAR UNA EBULLICIÓN SÚBITA EN LÍQUIDOS MUY CALIENTES CUANDO SE MUEVE EL RECIPIENTE O SE COLOCA UN UTENSILIO.

18. NO use la función microondas sola o combinada sin alimentos o líquidos dentro del horno, porque puede causar sobrecalentamiento y daños.

19. NUNCA retire el exterior del horno.

20. NUNCA retire piezas internas fijas del horno.

21. NUNCA bloquee el tablero de control, las puertas, los cierres u otra pieza.

22. NO obstruya la ventilación/filtros de aire o salida de vapor.

23. NUNCA cuelgue repasadores ni toallas de cualquier parte del horno.

24. Si los cierres de las puertas están dañados, un Agente autorizado debe reparar el horno.

25. Si el cable de energía está dañado, un Agente autorizado DEBE reemplazarlo.

26. Cuando manipule líquidos, alimentos y recipientes calientes, tenga cuidado de no quemarse.

27. Cuando caliente líquidos mediante la función sólo microondas o combinada, los recipientes deben agitarse antes para evitar la ebullición súbita.

28. Los biberones y los tarros de comida para bebé no deben calentarse con este aparato.

29. Nunca use el horno para calentar alcohol (por ejemplo, brandy, ron, etc.). La comida que contiene alcohol puede incendiarse fácilmente si se sobrecalienta. Tenga cuidado y preste atención.

30. Nunca intente freír en aceite abundante.

31. Los niños o personas enfermas no deben usar este horno sin supervisión.

32. Se debe supervisar a los niños para que no jueguen con el horno.

GUARDE ESTAS INSTRUCCIONES.

PRECAUCIONES A TENER EN CUENTA

1. Lea este manual antes de usar su horno.
2. Como en todos los aparatos eléctricos, es importante revisar todas las conexiones eléctricas, al menos, una vez al año.
3. El interior del horno y los cierres de las puertas se deben limpiar con frecuencia, según las instrucciones descritas en la sección de limpieza. Si no lo cumple, puede provocar una situación peligrosa.
4. Apague el horno después de la última sesión de cocción del día.
5. Nunca se debe usar el horno para secar telas.
6. Como en cualquier aparato para cocinar, se debe tener cuidado de evitar la combustión de los elementos dentro del horno.
7. Los alimentos dentro de recipientes de plástico o papel deben cambiarse a otros recipientes aptos para microondas/horno a fin de evitar la posibilidad de incendio.

Si se observa humo:

- Apague el horno.
- Desconéctelo del suministro eléctrico.
- Mantenga la puerta cerrada para contener las llamas.

8. Se deben desenvolver los elementos cuando se usan las funciones de convección y combinación.
9. Los huevos con cáscara y los duros no deben calentarse en el horno, porque podrían explotar.
10. Los alimentos con cáscara, por ejemplo, patatas, manzanas, salchichas, etc. se deben perforar antes de calentar.
11. Los alimentos no deben calentarse en un recipiente completamente cerrado, ya que la formación de vapor podría hacerlo explotar.
12. La grasa en exceso debe quitarse mientras se está asando o antes de levantar recipientes pesados del horno.
13. En caso de rotura de vidrio dentro del horno, asegúrese de que la comida no tenga partículas de vidrio. Si tiene dudas, deseche toda la comida que estaba en el horno antes de la rotura.
14. NO intente usar el horno con: objetos atrapados en la puerta que no cierra correctamente; o puertas, bisagras, cierres herméticos, superficies de cierre dañados o sin comida en el horno.

UTENSILIOS DE COCINA APROPIADOS

Se deben leer las instrucciones del fabricante para determinar si los recipientes o utensilios son apropiados para cada una de las funciones de cocción. La siguiente tabla brinda pautas generales:

Recipientes a prueba de calor		
Vidrio templado Cerámica vítrea Cerámica (porcelana/loza, etc.)	✓ ✓ ✓	No utilice elementos con decoración metálica.
Bandejas metálicas o de papel de aluminio		
Bandejas metálicas NO UTILICE OTROS RECIPIENTES DE METAL O PAPEL DE ALUMINIO.	✓	Las bandejas metálicas sólo pueden utilizarse cuando se ubican sobre el SOPORTE VÍTREO en la cavidad del horno. Nota: No cocine la comida directamente en el estante vítreo del esmalte.
Recipientes plásticos		
Recipientes plásticos seguros para uso en horno común y de microondas	✓	(hasta ciertas temperaturas) ahora están disponibles. Lea las instrucciones del fabricante antes de usarlos.
Descartables		
NO LOS USE Combustibles (papel/cartón, etc.)	✗	
Otros utensilios		
Precintos Cubiertos Termómetros	✗ ✗ ✗	No se deben dejar utensilios de cocina en la comida mientras se cocina en el horno.

CARACTERÍSTICAS PRINCIPALES

1 INTERRUPTOR ENCENDIDO/APAGADO

Cuando se enciende, la pantalla easyTouch ilumina los controles del horno.

Nota: cuando se apaga, no se desconecta el horno del suministro eléctrico.

2 TABLERO DE CONTROL easyTOUCH

Vea “USO y CONTROLES” para obtener más detalles.

3 PLACA DE DATOS DE SERVICIO

Ubicada en el tablero posterior del horno, comprende el número de serie, el tipo de modelo y las especificaciones eléctricas.

4 Menú Conectar (MenuConnect™)

El puerto USB ubicado debajo del logo Merrychef permite cambiar programas almacenados en el horno (Ver USB MenuConnect™ Manual del usuario, y de Operación y Control de la sección de este manual, para obtener detalles de los programas de actualización de horno).

5 SALIDAS DE AIRE

El aire usado para enfriar los componentes internos y el vapor de la cavidad se despiden a través de las salidas de aire, ubicadas en la parte posterior del horno y el tablero lateral del modelo e5. Las salidas de aire no deben tener obstrucciones y no permitirán que se escape la energía del microondas al ambiente.

6 FILTRO DE ADMISIÓN DE AIRE

El filtro de aire ubicado en la parte frontal inferior del horno es parte del sistema de ventilación y no debe tener obstrucciones. Necesita limpieza diaria según se describe en “Limpieza y mantenimiento”. Nota: el horno no funciona sin el filtro de aire.

7 MANIJAS DE LA PUERTA

Esta es una barra rígida que se tira hacia abajo y lejos de la apertura del horno.

8 PUERTA DEL HORNO

Esta es una barrera de energía precisa con tres bloqueos de seguridad de microondas. La puerta debe estar limpia (ver “LIMPIEZA”) y NO debe usarse para apoyar objetos pesados.

9 CIERRES DE LA PUERTA

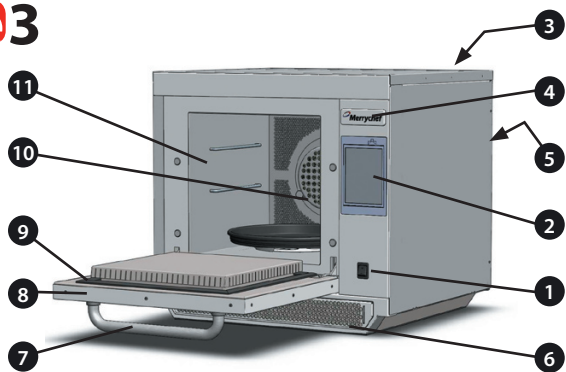
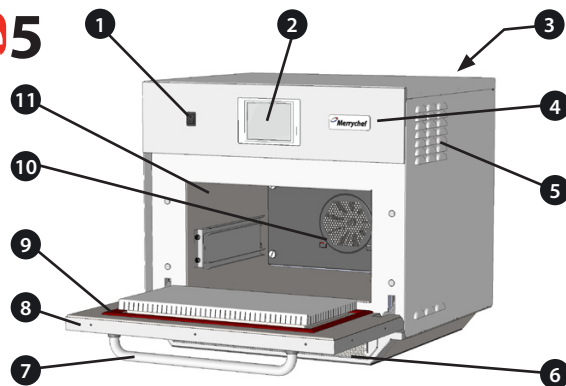
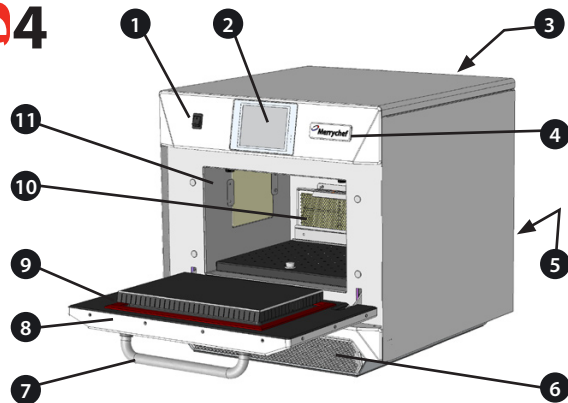
Aseguran un cierre hermético alrededor de la puerta. Se deben mantener limpios y revisar si hay daños en forma regular. Al primer signo de desgaste, un Agente autorizado Merrychef debe reemplazarlos.

10 VENTILADOR DE CONVECCIÓN, FILTRO DE GRASA Y CONVERTIDOR CATALÍTICO (según el modelo)

La parrilla del filtro de grasa de metal que cubre el ventilador de convección debe estar limpia y libre de desechos. Se debe tener mucho cuidado al limpiar esta área del horno. Se deben tomar en cuenta los diferentes requisitos del horno en la sección “Limpieza y mantenimiento” de este manual.

11 CAVIDAD DEL HORNO

La cavidad del horno está hecha de acero inoxidable y se debe mantener limpia mediante las siguientes instrucciones de limpieza de la sección “Limpieza y mantenimiento” de este manual.

e3**e5****e4**

ESPECIFICACIONES TÉCNICAS

Especificaciones

Descripción	unidad	e3	e4	e5
Controles de la pantalla táctil	programas	1024	1024	1024
Temperatura ambiente de funcionamiento	°C / °F	<40/104	<40/104	<40/104
Altura x ancho x profundidad externas	mm	551x598x622	591x584x750	642x711x705
Altura x ancho x profundidad externas	pulgadas	21.7x23.5x24.5	23.3x23.0x29.5	25.3x28.0x27.8
Altura x ancho x profundidad internas	mm	319x332x325	218x375x312	258.4x495x363.5
Altura x ancho x profundidad internas	pulgadas	12.6x13.1x12.8	8.6x14.8x12.3	10.17x19.49x14.31
Cámara de cocción	Ltr (pul. cúb.)	34.4 (2113)	25.5 (1566)	44.4 (2730)
Potencia de salida microondas	Watts	700/1000	1500	1400
Potencia de salida convección	kW	3 (3/1.5 EE)	3.2	3.2
Suministro de energía 50 Hz	V	230	230	230
Suministro de energía 60 Hz	V	208 & 240 / 220	208 & 240 / 220	208 & 240 / 220
Suministro de energía	kW	3(EE) 4.3(XE) 4.7(XX)	7.0	6.2
Peso neto del horno sin embalaje	Kg (libras)	62.5 (138)	82.5 (182)	94.0 (207)
Nivel de presión de sonido	dB(A)	<70	<70	<70
Carga (con equipo)	horno	0	1	0

Número de serie (Placa de datos de servicio):

Número de serie: AA MM LOCAL SERIE Es decir, 10 06 2130 12345 (1006213012345)

Horno fabricado en junio de 2010, en Sheffield (Reino Unido), número de fabricación 12345.

Número de modelo: MODELO CONVECCIÓN MICROONDAS VOLTAJE HERTZ ENTREGA ENCHUFE COMUNICACIÓN VERSIÓN CLIENTE/ ACCESORIO PAÍS Es decir, e4C S V MV 6 D F U 1 GM US (e4CSVMV6DFU1GMUS)

modelo e4C, 3200W, 1500W, 208V, 60Hz, 2P+GND (30A), enchufe macho moldeado NEMA 6-30P, USB, 1, General Market, Estados Unidos.

INSTALACIÓN

UBICACIÓN Y POSICIÓN DEL HORNO

Elija un sitio alejado de fuentes de calor importantes.

NO ubique el horno de forma tal que atraiga el aire caliente de freidoras, parrillas, planchas, etc.

Se debe instalar una barrera para el calor de la misma altura del horno si se ubica cerca del fuego o de una cocina.

Ubique el horno sobre una superficie antideslizante, plana, no inflamable y permanente que esté NIVELADA, y sea ESTABLE y RESISTENTE para soportar el horno y su contenido.

Deje un espacio mínimo (A) de 2 pulgadas (50 mm) alrededor del horno para permitir la salida del aire caliente.

Deje un espacio suficiente (B) frente al horno para que la puerta se abra completamente.

Coloque el horno (los modelos e4 y e5 solamente) por lo menos 36 pulgadas (916mm) de (C) sobre el piso.

La entrada de aire está ubicada en la parte inferior del frente del horno (1) y es importante que el flujo de aire sea lo más fresco posible y que no esté calentado por otros aparatos tales como cocinas, freidoras, parrillas y planchas, ya que esto deteriora la vida útil y el rendimiento del horno.

No pegue etiquetas/autoadhesivos en el horno, excepto los que ha aplicado o aprobado el fabricante.



El horno no funcionará sin el FILTRO DE AIRE colocado correctamente.

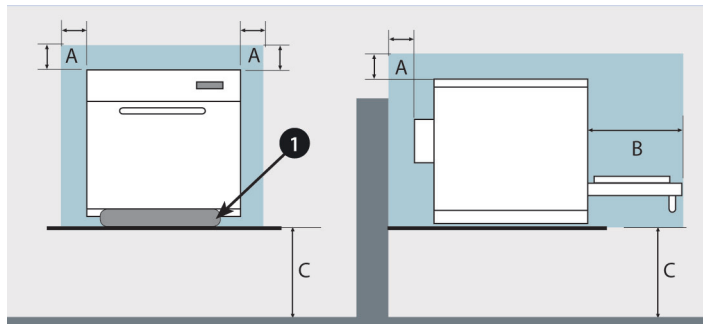


¡PELIGRO!

ESTE APARATO DEBE CONECTARSE A TIERRA. LA FALTA DE CONEXIÓN PUEDE PROVOCAR UNA DESCARGA ELÉCTRICA Y LA MUERTE.

El horno debe estar conectado a una toma instalada correctamente y con conexión a tierra. Si tiene dudas, consulte a un electricista calificado.

Refiera por favor al Web site www.merrychef.com de Merrychef para los detalles eléctricos completos de la instalación. Si usted tiene acceso o requirió la clarificación adicional, entre en contacto con por favor un agente del servicio.



MANEJO Y ALMACENAMIENTO:

Cuando transporte el horno, siempre respete y cumpla los requisitos nacionales y locales para levantar y transportar objetos pesados. No use la manija del horno para levantarlo.

Cuando no esté en uso, desconecte el horno de la electricidad y guárdelo en un lugar seguro, seco y fresco. No los apile.

GUÍA DE INICIO RÁPIDO: HORNO DE SERVICIO RÁPIDO

INICIO

1. Encienda el horno.

Realice todas las revisiones de seguridad pertinentes y verifique que el horno esté limpio y vacío antes de presionar el interruptor para activar el horno.

2. Los controles de la pantalla táctil se iluminan y se visualiza brevemente el número de serie y los datos del horno. Pulse levemente la pantalla una vez para congelar la visualización. Pulse nuevamente para continuar.

3. Cuando el horno se instala con dos o más temperaturas de precalentamiento, se visualiza una opción.

Las flechas de avance/retroceso de la pantalla en la parte inferior indican que hay más opciones de temperatura que no se muestran. Si es necesario, use las flechas y seleccione la temperatura elegida para comenzar el precalentamiento del horno.

4. Durante el precalentamiento, se visualiza el progreso de calentamiento del horno a la temperatura establecida. (Para para el calentamiento del horno, toque el símbolo "X" rojo).

5. El horno está listo para usar cuando se visualiza "LIBRO DE COCINO".



5 VISUALIZACIÓN DEL LIBRO DE COCINO

VARIOS IDIOMAS INSTALADO

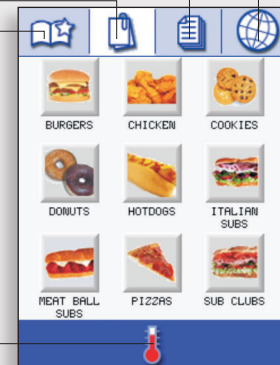
MUESTRA TODOS LOS PROGRAMAS DE COCCIÓN (Opcional)

MUESTRA LOS GRUPOS DE PROGRAMAS

FAVORITOS (Opcional)

GRUPO DE PROGRAMAS

Cada grupo contiene una colección de programas de cocción.



CAMBIAR LA TEMPERATURA DEL HORNO (Opcional)

USO DE UN PROGRAMA DE COCCIÓN



Tomando todas las precauciones necesarias para evitar quemaduras, abra la puerta para colocar la comida en el horno caliente y luego ciérrela.

1. Seleccione un grupo de programas, por ejemplo, "BURGERS" para visualizar los programas de cocción individuales.
2. Seleccione un programa de cocción para comenzar, por ejemplo, 2 BURGERS.
3. Siga las instrucciones que se visualizan en la pantalla.
4. Toque la marca de visto verde para cocinar.

El tiempo de cocción se cuenta en forma regresiva para cada etapa del programa.

5. Cuando el programa finaliza, se visualiza una barra roja junto con un sonido: abra la puerta o toque la "X" roja para regresar al programa de cocción.

Observación: abrir la puerta del horno durante la cocción detiene el programa y se visualiza una advertencia. Al cerrar la puerta, puede continuar o cancelar el programa de cocción.

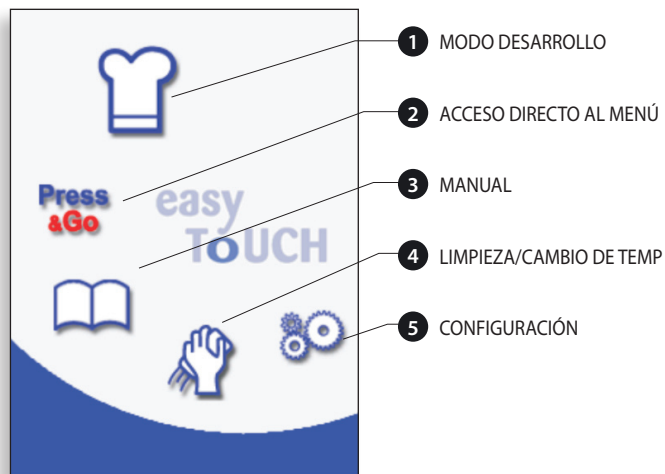


GUÍA DE USO: HORNO DE SERVICIO COMPLETO

MENÚ PRINCIPAL Y TECLADO easyTOUCH

PANTALLA DE MENÚ PRINCIPAL:

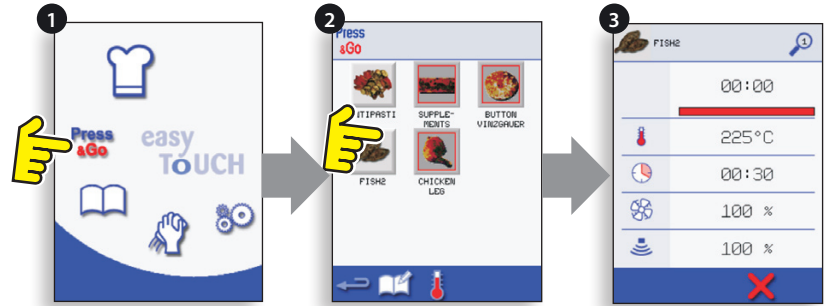
1. El MODO DE DESARROLLO permite que se desarrollen los programas de cocción, que luego se almacenan con un nombre y un símbolo para volver a usar.
2. PRESS & GO permite un acceso rápido a los programas de cocción que ya se han almacenado.
3. El LIBRO DE COCINO contiene los programas de cocción del horno. Visualiza los Favoritos, los Grupos de programas de cocción y una lista completa de todos los programas de cocción disponibles.
4. LIMPIEZA/CAMBIO DE TEMP permite que la temperatura del horno se pueda cambiar y se pueda preparar el horno para limpieza con recordatorios que se visualizan para asistir durante el proceso de limpieza.
5. CONFIGURACIÓN se utiliza para controlar la configuración y las funciones del horno, incluso el tiempo y el idioma, carga de programas de cocción y la reparación y el mantenimiento.
6. La PANTALLA DE TECLADO se usa para ingresar una contraseña autorizada e ingresar los datos para los programas. Puede restringir el acceso del usuario para algunas funciones.



PRESS & GO

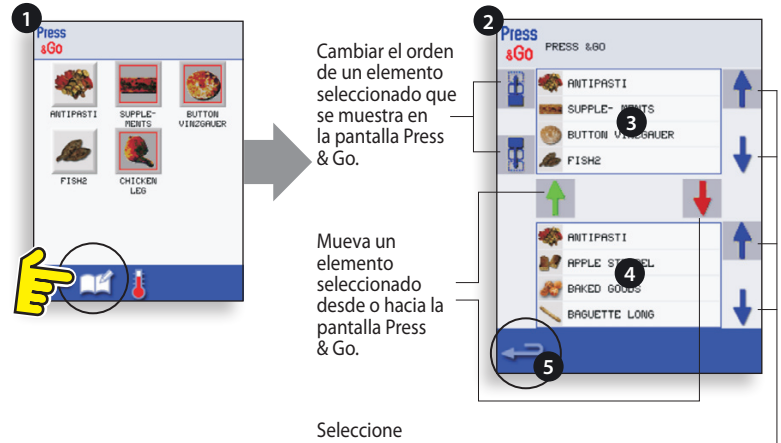
Ejecutar un programa de cocción desde el menú Press & Go.

1. Seleccione ""PRESS & GO" de la pantalla del menú principal.
2. Seleccione el elemento elegido para cocinar.
3. Se visualiza la temperatura, el tiempo de cocción, la potencia del microondas y la velocidad del ventilador mientras el temporizador hace la cuenta regresiva. La barra del temporizador se vuelve roja para indicar que el ciclo de cocción ha finalizado.



Elección de los programas de cocción que se muestran en la pantalla del menú "PRESS & GO".

1. Después de seleccionar "PRESS & GO" de la pantalla del menú principal, seleccione el símbolo "EDITAR".
2. Se visualizan dos listas, los elementos del menú "PRESIONAR Y AVANZAR" se muestran en la lista superior, y la lista inferior muestra otros elementos del menú que están disponibles. Se puede avanzar/retroceder por ambas listas usando las flechas sobre el extremo derecho.
3. Seleccione un elemento, luego elija si prefiere cambiar su orden dentro del menú o quitarlo para colocarlo en la lista inferior.
4. Seleccione el elemento que va a mover a la lista superior, para que esté disponible en el menú "PRESS & GO".
5. Seleccione retroceso para regresar a la pantalla del menú cuando haya finalizado.



Cambiar el orden de un elemento seleccionado que se muestra en la pantalla Press & Go.

Mueva un elemento seleccionado desde o hacia la pantalla Press & Go.

Seleccione avanzar/retroceder por la lista.

USO DE UN PROGRAMA DEL LIBRO DE COCINO



ADVERTENCIA: VERIFIQUE QUE EL ALIMENTO ESTÉ EN EL HORNO ANTES DE COMENZAR EL PROGRAMA DE COCCIÓN.

Para encontrar el programa elegido en el libro de cocino.

1. Seleccione "LIBRO DE COCINO" de la pantalla de menú principal.
2. Seleccione el símbolo de TODOS LOS MENÚS.
3. Use las flechas de avanzar/retroceder para encontrar el programa.

NOTA: si una imagen tiene una línea roja alrededor, la temperatura del horno está configurada en un valor demasiado elevado o demasiado bajo para esa receta. Consulte "CAMBIO DE LA TEMPERATURA DEL HORNO".

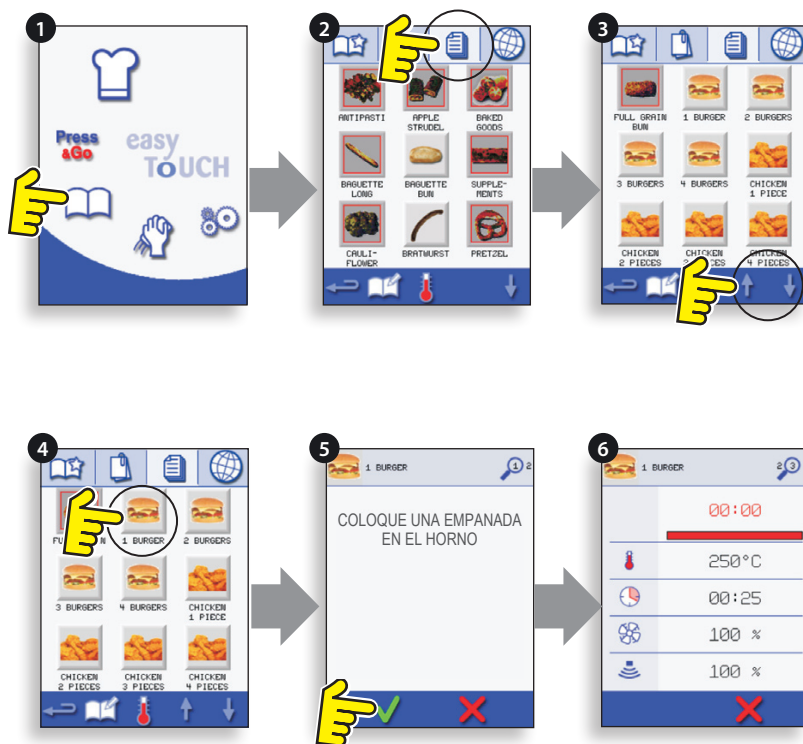
Tome todas las precauciones necesarias para no quemarse, coloque el alimento en la cavidad caliente del horno y cierre la puerta.

4. Seleccione el programa de cocción elegido para iniciar la cocción. Por ejemplo, "1 BURGER".



ADVERTENCIA: ¡PELIGRO! SUPERFICIE CALIENTE

5. El programa comienza de inmediato a mostrar un temporizador en cuenta regresiva o antes muestra una instrucción. Siga la instrucción de la etapa y luego seleccione ACEPTAR para comenzar la cocción. Si la puerta del horno no se abre en 30 segundos, aparece un mensaje de advertencia.



6. El temporizador vuelve a cero y emite un sonido para indicar que es necesario que el usuario realice una acción al final de la etapa de cocción o al final del programa de cocción.

Una vez finalizado el programa de cocción, abra la puerta del horno para retirar la comida y se vuelve a visualizar la pantalla "LIBRO DE COCINO".

Observación: abrir la puerta del horno durante la cocción frena el programa y se visualiza una advertencia. Al cerrar la puerta, puede continuar o cancelar el programa de cocción.

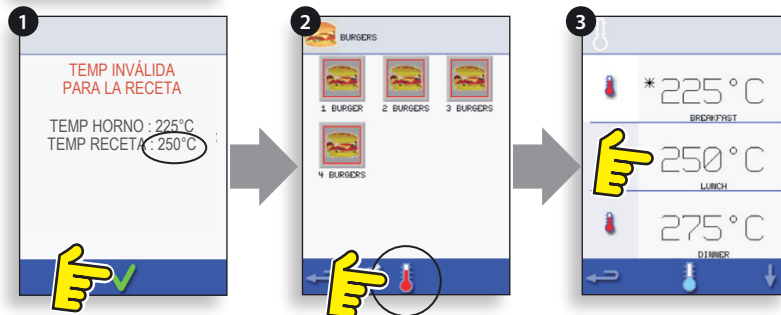
Para revisar la temperatura del horno mientras cocina, pulse levemente la temperatura que se visualiza; la temperatura de la cavidad del horno se muestra con un asterisco.

PROTECTOR DE PANTALLA

Un protector de pantalla se activa la máscara de la pantalla que muestra una imagen en movimiento. Para utilizar la pantalla táctil, toque la pantalla para desactivar el protector de pantalla.

CAMBIO DE LA TEMPERATURA DEL HORNO

1. Tome nota de la temperatura elegida para la receta y seleccione OK.
2. Seleccione el símbolo de temperatura.
3. Un asterisco al lado del número indica la temperatura actual del horno, seleccione la temperatura elegida para la receta. Una vez que el horno alcanza la temperatura elegida, continúe con la selección del "LIBRO DE COCINO" en el paso 1.

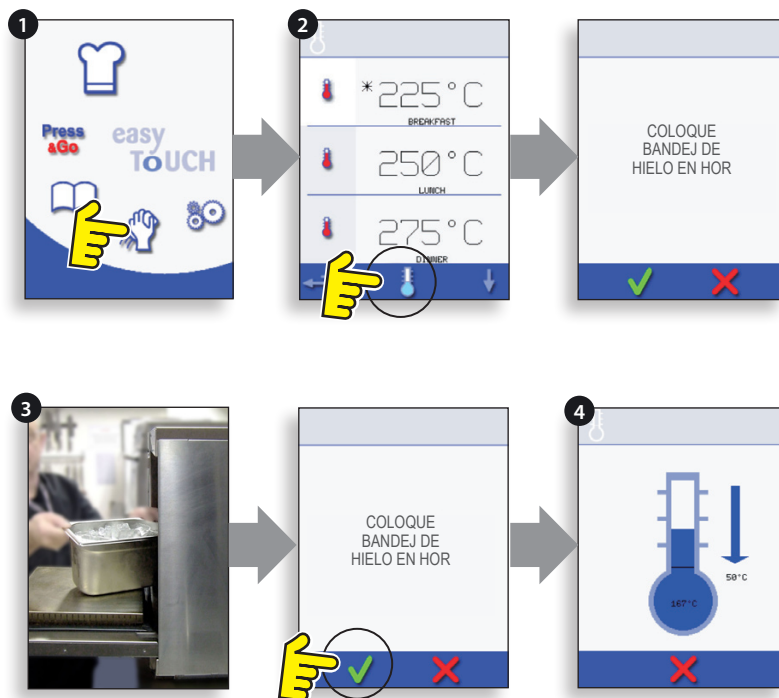


ENFRIAMIENTO DEL HORNO ANTES DE LA LIMPIEZA

Enfriamiento del horno

IMPORTANTE: el horno debe estar frío antes de realizar los procesos de limpieza.

1. En Modo de servicio completo, seleccione el símbolo de LIMPIEZA del menú principal.
2. En Modo de servicio completo o rápido, seleccione el símbolo de termómetro azul para desactivar el calentamiento e iniciar el ciclo de enfriamiento.
3. Tome todas las precauciones necesarias para colocar un recipiente colmado de hielo en la cavidad caliente del horno. Seleccione el símbolo OK para continuar.
4. El progreso del enfriamiento se visualiza e insume aproximadamente 30 minutos.
5. El horno está listo para la limpieza. Seleccione ACEPTAR en la pantalla luego de completar cada etapa.



Preparación para limpiar el horno

Para que el horno funcione con la máxima eficacia, se deben mantener limpios la cavidad, la puerta, el filtro de aire y el filtro de grasa.

Una limpieza de rutina asegurará que cumpla con las normas de higiene y le ayudará a mantener y prolongar la eficacia de su horno.

Equipo necesario (no suministrado):

Limpiador no cáustico de hornos de marca registrada, guantes para protección contra el calor, guantes protectores de goma, cepillo de nailon no abrasivo, telas y toallas de limpieza, protección para los ojos y máscara antipolvo (opcional).

PRECAUCIÓN: USE GANTES PROTECTORES DE GOMA PARA LIMPIAR EL HORNO.

NUNCA use elementos filosos, ásperos o abrasivos en ninguna parte del horno.



ADVERTENCIA: NO UTILICE PRODUCTOS DE LIMPIEZA CÁUSTICOS EN NINGUNA PARTE DEL HORNO NI EN SU CAVIDAD, YA QUE PODRÍAN CAUSAR UN DAÑO PERMANENTE A LOS CONVERTIDORES CATALÍTICOS.

Complete el procedimiento de ENFRIAMIENTO y permita que el horno y los accesorios se enfríen antes de comenzar la limpieza.



NO UTILICE HERRAMIENTAS.

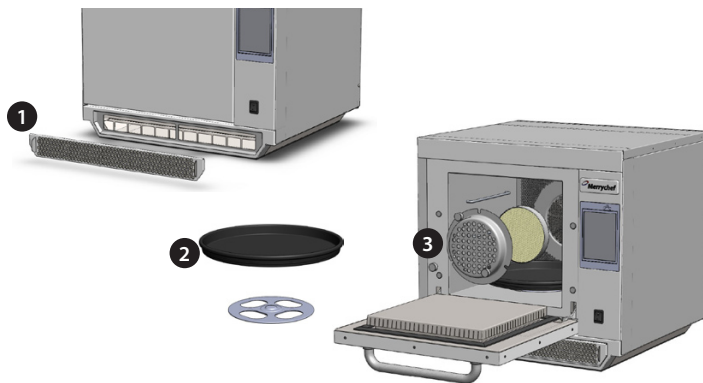
e3 INSTRUCCIONES DE LIMPIEZA del horno frío e3

QUITE y LIMPIE las piezas del horno:

1. Quite el filtro de aire en la base del horno.
2. Abra la puerta del horno y extraiga la bandeja giratoria.
3. Para hornos con convertidor catalítico, abra la puerta del horno y quite los cierres para extraer el convertidor catalítico cuando sea necesario, al menos, una vez al mes.

Lave todas las piezas con agua jabonosa tibia. Enjuague con una tela limpia y llena de agua limpia y tibia.

Seque con una tela limpia y fresca.



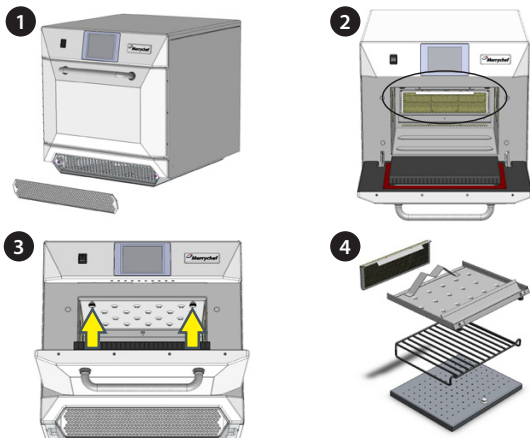
e4 INSTRUCCIONES DE LIMPIEZA del horno frío e4

QUITE y LIMPIE las piezas del horno:

1. Quite el filtro de aire en la base del horno.
2. Abra la puerta del horno, quite la estantería, tire la manija del filtro de grasa hacia abajo y extráigalo.
3. Quite los cierres que aseguran la placa del impactor superior.
4. Quite la placa del impactor superior y extraiga la placa del impactor inferior.

Lave todas las piezas con agua jabonosa tibia. Enjuague con una tela limpia y llena de agua limpia y tibia.

Seque con una tela limpia y fresca.

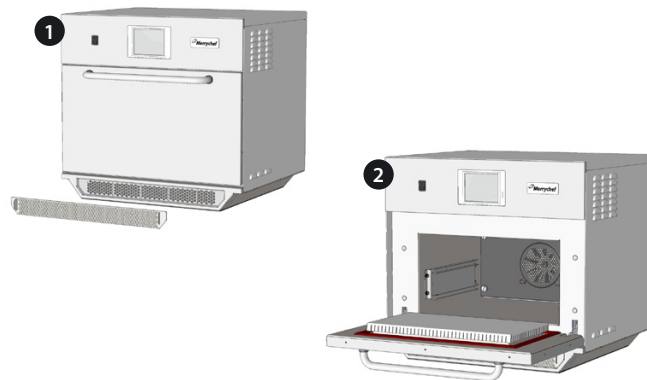


e5 INSTRUCCIONES DE LIMPIEZA del horno frío e5

QUITE y LIMPIE las piezas del horno:

1. Quite el filtro de aire en la base del horno.
 2. Abra la puerta del horno para quitar las bandejas y estanterías.
- Lave todas las piezas con agua jabonosa tibia. Enjuague con una tela limpia y llena de agua limpia y tibia.

Seque con una tela limpia y fresca.



LIMPIE EL HORNO:

1. Elimine los derrames con toallitas de papel descartable.

Use un cepillo limpio y seco para eliminar las partículas de alimentos entre el piso del horno y el interior de la puerta delantera.

2. Utilice guantes de goma protectores y anteojos protectores. Con cuidado rocíe un limpiador de hornos de marca registrada no cáustico sobre las superficies internas del horno, excepto el cierre de la puerta (A).

NO rocíe directamente en la abertura del ventilador en la parte interna posterior del horno.

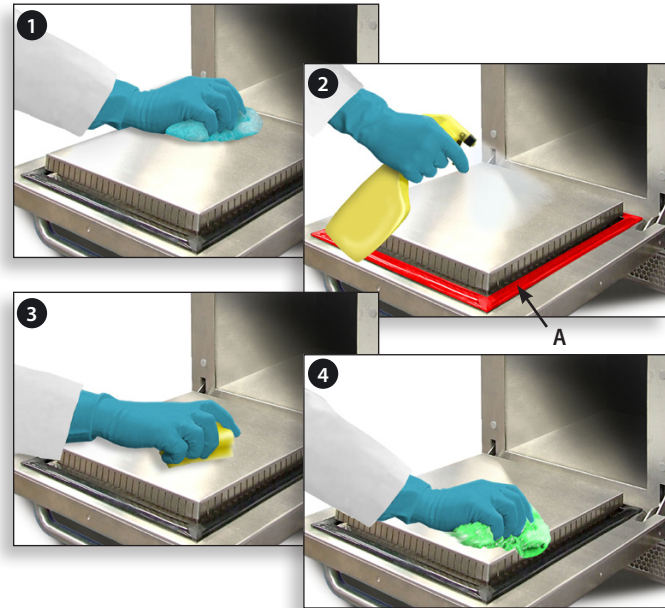
3. Para áreas difíciles, deje en remojo por 10 minutos con la puerta del horno abierta.

Use un cepillo/esponja de nailon no abrasiva para limpiar la cavidad, el techo y el interior de la puerta. No cepille el cierre de la puerta ni use lijas metálicas.

4. Enjuague con un trapo limpio y mucha agua limpia tibia. Seque usando un trapo nuevo y limpio o toallas de papel.

Reemplace todas las piezas limpias del horno.

Cierre la puerta y enjuague el exterior del horno con un trapo húmedo.



NO UTILICE EL HORNO SIN UN FILTRO DE AIRE LIMPIO.

APLIQUE PROTECTOR DE HORNO:

1. Solamente aplíquelo a un horno limpio. Rocíe un Protector de hornos de marca registrada en una esponja.
2. Distribuya el Protector de hornos suavemente en todas las superficies internas del horno.
3. Distribuya el Protector de hornos suavemente en toda la superficie interna del horno, salvo en el cierre de la puerta.

Encienda el horno y precaliente. Cuando el horno haya llegado a la temperatura de uso, tomará 30 minutos curar el Protector de hornos.

Nota: el protector de hornos se vuelve marrón claro cuando está curado.

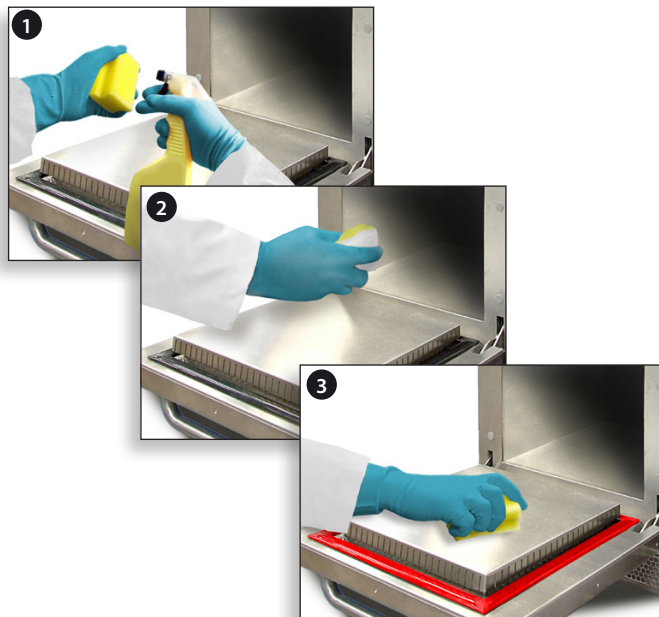


GRÁFICO DE DETECCIÓN DE FALLAS

Aunque se hace mucho esfuerzo para asegurar que su horno tenga un rendimiento de alto nivel, verifique en el gráfico si el problema se puede resolver con facilidad antes de contactar al agente autorizado.

PROBLEMA	CAUSA POSIBLE	SOLUCIÓN
El horno no funciona y la pantalla de visualización está en blanco	El horno no tiene energía	Verifique si hay un corte de energía. Revise si el interruptor del aislador está ENCENDIDO o si el horno está enchufado correctamente. Verifique si el interruptor del horno está ENCENDIDO.
Algunos controles de la pantalla no funcionan	Acceso no autorizado	Contáctese con el usuario autorizado.
La exhibición muestra un mensaje de alerta	Los detalles se muestran en la pantalla	Siga las instrucciones exhibidas.
El horno no cocina los alimentos correctamente	El horno no está limpio El alimento no está a la temperatura correcta Programa seleccionado modificado o erróneo Alimento envuelto Se retiró el alimento del horno antes de tiempo	Limpie el horno (vea "Limpieza"). Use el programa de cocción correcto. Quite el envoltorio del alimento para cocción sin microondas. Verifique que se hayan seguido todas las etapas de cocción en forma correcta.
El horno no finaliza la cocción	La puerta del horno está abierta No tiene filtro de aire o está mal colocado Recalentamiento del horno	Cierre la puerta del horno. Acomode el filtro de aire. Deje que se enfríe el horno. Revise si hay obstrucciones en la ventilación y quítelas.
La pantalla muestra un código de error	Desperfecto en el horno	Observe el código de error y contáctese con su Agente autorizado.



Merrychef EE. UU.

1111 North Hadley RD

Fort Wayne

IN 46804 EE. UU.

Teléfono: +1 877-404-6872

Fax: +1 800-285-9511

correo electrónico: info@merrychefusa.com

www.merrychefusa.com



Merrychef se reserva el derecho de cambiar las especificaciones del producto sin previo aviso y no admite responsabilidad alguna por las incorrecciones, errores u omisiones contenidas en el presente.